

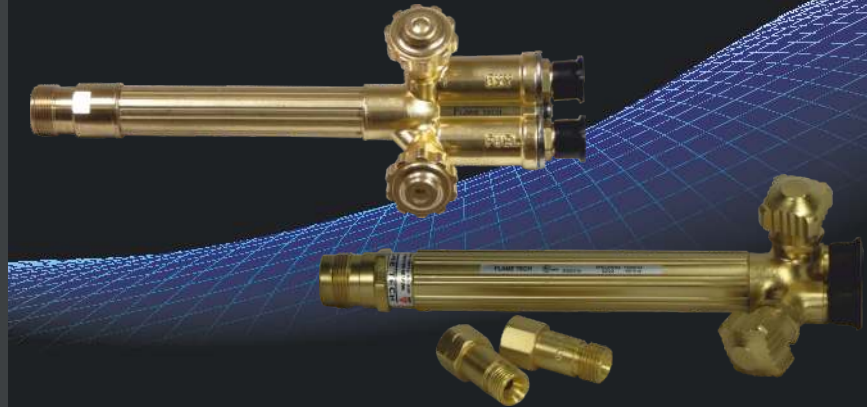
# FLAME TECH

HEAVY DUTY TORCH

HANDLE WITH &

WITHOUT FBA

# FLAME TECH



## PRODUCT



Part Code	Product Description
VTHH21FBAMB	Heavy Duty Torch Handle, V-Style, Built-in Flashback Arrestor - 3/8" BSP
VTHH21FBACGA	Heavy Duty Torch Handle, V-Style, Built-in Flashback Arrestor - 9/16" - 18 UNF

Part Code	Product Description
VTHH21MB	Heavy Duty Torch Handle, V-Style - 3/8" BSP
VTHH21CGA	Heavy Duty Torch Handle, V-Style - 9/16" - 18 UNF

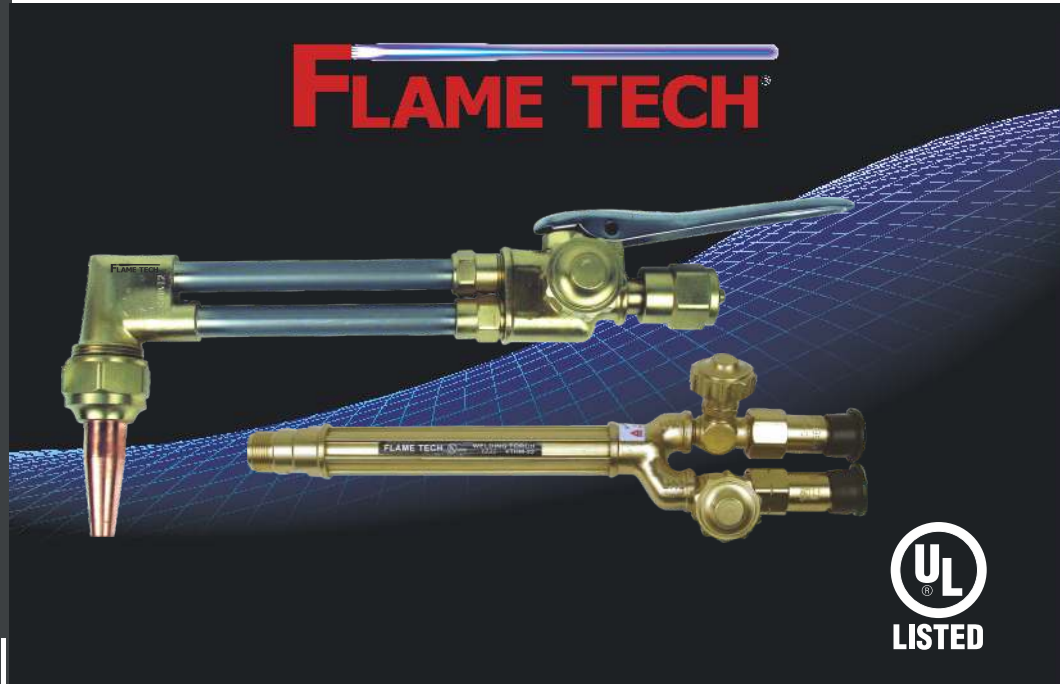
### Features:

- + Heavy Duty Torch Handle made out of forged brass.
- + Solid brass leaked proof gas valves.
- + Compatible with V style heavy duty attachment.
- + Built-In Flashback Arrestors with Check Valves\*
- + Replaceable FBA/Check Valve Cartridge Set\*
- + Retainer Prevents FBA Cartridges from Backing Out When Removing Hose\*
- + DO NOT use other brand cartridges, as they may not seal correctly and cause gas leaks.\*

\* Applicable for inbuilt FBA Torch Handle.

# FLAME TECH

MEDIUM DUTY HANDLE,  
CUTTING ATTACHMENTS  
& NOZZLES



## PRODUCT



- + 90° Head Angle
- + Head & body are forged brass for longer life
- + Double O-ring to form a perfect gas-tight seal
- + Two stainless steel tubes and lever for strength


Part Code	Product Description
VCAM22CGA	Medium Duty Cutting Attachment




- + Medium Duty Torch Handle with Check Valves
- + Replaceable Check Valve Cartridge Set
- + Compatible with V Style Medium Duty Attachment

Part Code	Product Description
VTHM22MB	Medium Cutting Handle - 3/8" BSP
VTHM22CGA	Medium Cutting Handle - 9/16" - 18 UNF

### ACETYLENE NOZZLE SUITABLE FOR MEDIUM DUTY CUTTING ATTACHMENT

	Part Codes	Cutting Thickness	Product Description
	75883010	1/2 inches	Cutting Tip (0-3-101)
	75883011	3/4 inches	Cutting Tip (1-3-101)
	75883012	1.0 inches	Cutting Tip (2-3-101)
	75883013	2.0 inches	Cutting Tip (3-3-101)

### PROPANE / CMAX NOZZLE SUITABLE FOR MEDIUM DUTY CUTTING ATTACHMENT

	Part Codes	Cutting Thickness	Product Description
	On Request	1/2 inches	Cutting Tip (0-3GPN)
	On Request	3/4 inches	Cutting Tip (1-3GPN)
	On Request	1.0 inches	Cutting Tip (2-3GPN)
	On Request	2.0 inches	Cutting Tip (3-3GPN)