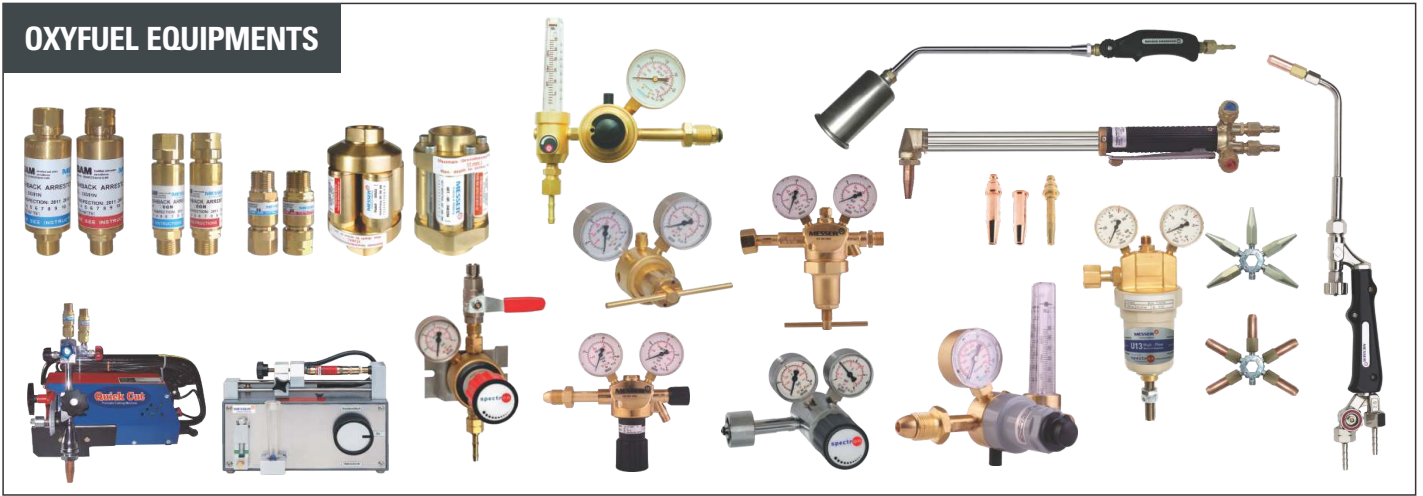


OXYFUEL EQUIPMENTS

ENTIRE RANGE OF GAS CUTTING EQUIPMENTS



OXYFUEL EQUIPMENTS



MANIFOLD SYSTEMS



WELDING ACCESSORIES



PROFIMASTER KIT

THE COMPLETE
CUTTING KIT



PRODUCT

Features

- + Products confirm to international safety standards.
- + Gas cutting with quality and safety
- + Complete solution for all gas cutting needs
- + Easy to carry & install
- + Acetylene & Propane Options

Application

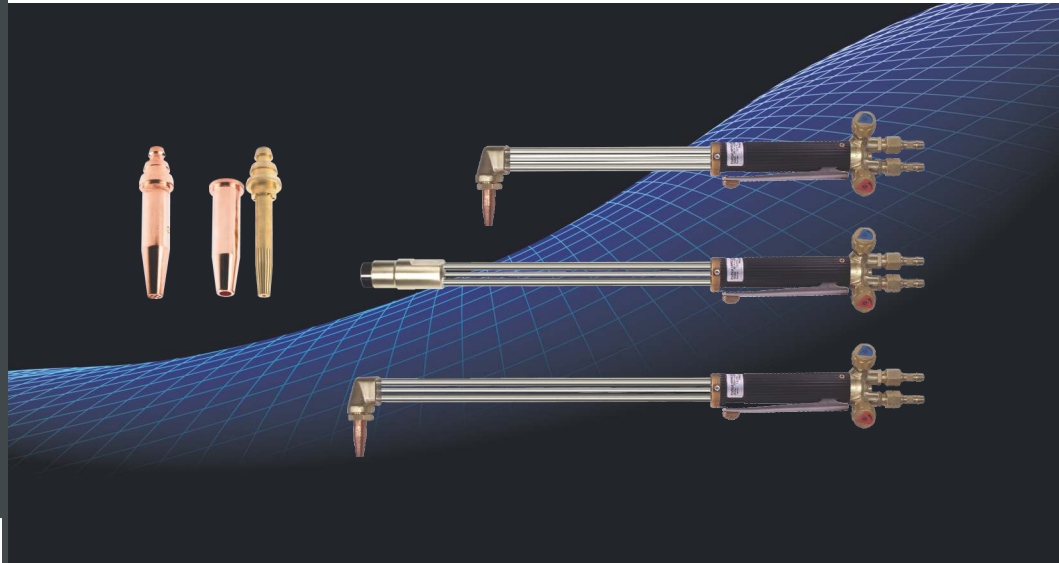
- + Construction
- + Maintenance
- + Engineering
- + All industries needing gas cutting

Profimaster Kit	BSP Kit Partcode	UAE Kit Partcode	KSA Kit Partcode
Profimaster Kit for Oxygen & Acetylene	80830951	80831153	80831155
Profimaster Kit for Oxygen & Propane	80831152	80831154	80831156

Sr No.	PROFIMASTER KIT - BSP		PROFIMASTER KIT - UAE & KSA	
	For Oxygen & Acetylene	For Oxygen & Propane	For Oxygen & Acetylene	For Oxygen & Propane
1	Regulator Tornado R/B-O 200-10 Bar		Regulator Tornado R/B-O 200-10 Bar	
2	8mm Crimped Hose (Red) (with G LH 3/8) - 10mtr	Regulator Tornado R/UB-P 25-2.5 bar with Adaptor	Regulator Tornado R/B-A 25-1.5 bar	Regulator Tornado R/UB-P 25-2.5 bar with Adaptor
3	ProfiCut HB 8607B-A/PMY Bottom Lever		ProfiCut HB 8607B-A/PMY Bottom Lever	
4	Cutting Nozzle 3-6 ANME1/32		Cutting Nozzle 3-6 ANME1/32	
5	Cutting Nozzle 6-20 ANME 3/64		Cutting Nozzle 6-20 ANME 3/64	
6	Cutting Nozzle 20-75 ANME 1/16		Cutting Nozzle 20-75 ANME 1/16	
7	Cutting Goggles - Rectangular - WG-2414FF		Cutting Goggles - Rectangular - WG-2414FF	
8	Spark Lighter-3 Flints		Spark Lighter-3 Flints	
9	Nozzle cleaner		Nozzle cleaner	
10	Flashback Arrestor DGN - Oxygen G 3/8 RH		Flashback Arrestor DGN - Oxygen G 3/8 RH	
11	Flashback Arrestor DGN - Fuel Gas G 3/8 LH		Flashback Arrestor DGN - Fuel Gas G 3/8 LH	
12	Flashback Arrestor GG 91 - Oxygen G 3/8 RH		Flashback Arrestor GG 91 - Oxygen G 3/8 RH	
13	Flashback Arrestor GG 91 - Fuel Gas G 3/8 LH		Flashback Arrestor GG 91 - Fuel Gas G 3/8 LH	
14	Welding Hand Gloves - 12 inch		Welding Hand Gloves - 12 inch	
15	8mm Crimped Hose (Blue) (with G RH 3/8) - 10mtr		T-grade Hose Set - 20' x 1/4' (6.1m x 6.4mm)	
16	8mm Crimped Hose (Red) (with G LH 3/8) - 10mtr			
17	PROFIMASTER KIT Manual		PROFIMASTER KIT Manual	

PROFICUT H

THE NEW GENERATION
NOZZLE MIXING
TECHNOLOGY



PRODUCT

Complies to EN ISO 5172

Absolute Safety

- + High resistance to back fires

Balanced Weight

- + Comfortable working for continuous operation
- + Torch weight 1050 gms., length 510 mm

Accurate

- + Precise flow rates
- + Heavy duty applications even at low cylinder pressures
- + Cutting range : 3 - 300 mm

Tough

- + 90° Solid Forged Brass Head

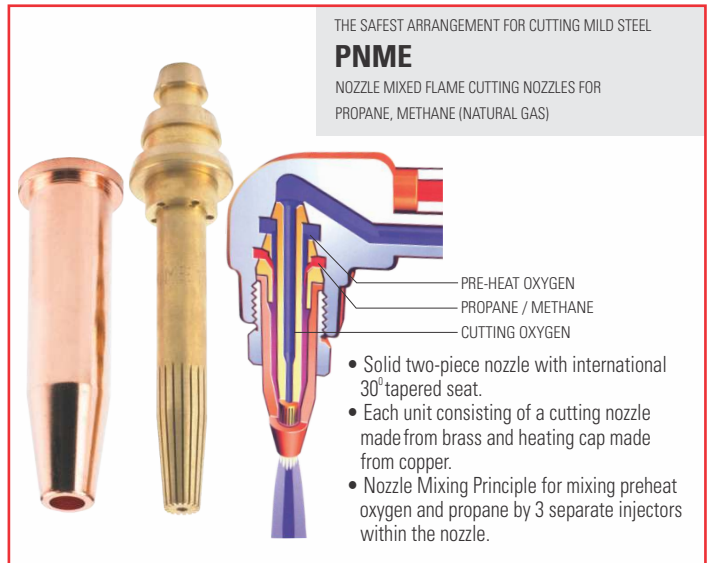
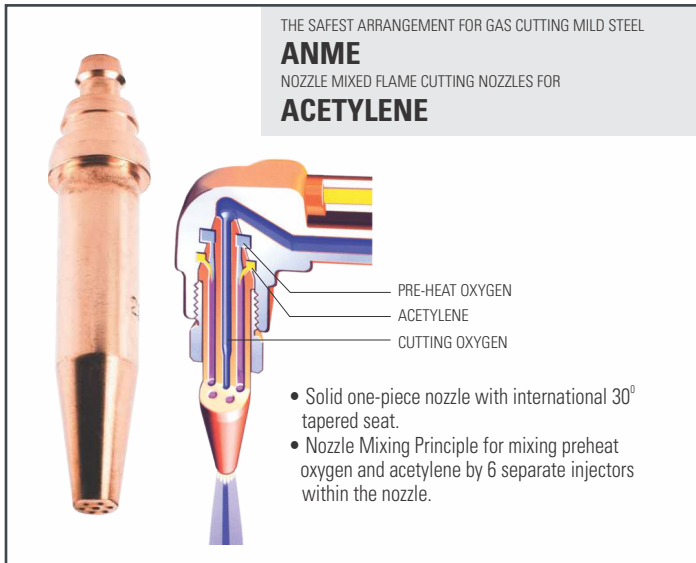
Durable

- + Rugged design ensures maximum strength

Excellent Cutting Quality

- + Reduced Post Cut Grinding Operation

Model	Head	Length	Nozzle Type	Bottom lever (3/8" BSP)	Top lever (9/16"- 18 UNF)
PROFICUT TORCH					
PROFICUT HB8607B-A/PMYF	95 DEG	510 MM	3 Seat	71607125	71606006
LONG PROFICUT TORCH					
PROFICUT H8607 B-A/PMY	95 DEG	800 MM	3 Seat	71607499	71607791
PROFICUT H8607 B-A/PMY	95 DEG	1000 MM	3 Seat	71607500	71607792
PROFICUT H8607 B-A/PMY	95 DEG	1200 MM	3 Seat	71607501	71607793
PROFICUT H8607 B-A/PMY	95 DEG	1500 MM	3 Seat	71607502	71607794
PROFICUT H9607 B-A/PMY	180 DEG	800 MM	3 Seat	71607574	71607795
PROFICUT H9607 B-A/PMY	180 DEG	1000 MM	3 Seat	71607575	71607796
PROFICUT H9607 B-A/PMY	180 DEG	1200 MM	3 Seat	71607576	71607797
PROFICUT H9607 B-A/PMY	180 DEG	1500 MM	3 Seat	71607577	71607798



SETTING TABLE FOR ANME CUTTING NOZZLES (ACETYLENE GAS)

ANME Nozzle	Workpiece Thickness		Product Code	Oxygen Pressure		Acetylene Pressure		Oxygen Consumption		Acetylene Consumption		Nozzle Clearance	
	Size	(mm) (Inches)		(bar) (p.s.i.)	(bar) (p.s.i.)	(m³/h) (c.f./h)	(m³/h) (c.f./h)	(mm) (Inches)					
1/32	3-6	1/8-1/4	71616122	2.0	29	≥ 0.5	≥ 8	1.2	42	0.5	17	3-5	0.1-0.2
3/64	6-20	1/4-3/4	71616123	2.5	37			2.8	84	0.6	21		
1/16	20-75	3/4-3	71616124	3.5	51			4.8	168	0.7	25		
5/64	75-125	3-5	71616125	4.0	58			7.8	273	0.8	28	5-10	0.2-0.4
3/32	125-175	3-7	71616126	4.5	65			10.2	357	0.9	32		
7/64	175-225	7-9	71616128	5.5	80			24.5	861	1.0	35		
1/8	225-300	9-12	71616127	6.5	94	≥ 0.8	≥ 12	30.1	1058	1.2	42	10-15	0.4-0.6

SETTING TABLE FOR PNME CUTTING NOZZLES (PROPANE)

PNME Nozzle	Workpiece Thickness		Product Code	Oxygen Pressure		Propane Pressure		Oxygen Consumption		Propane consumption		Nozzle Clearance	
	Size	(mm) (Inches)		(bar) (p.s.i.)	(bar) (p.s.i.)	(m³/h) (c.f./h)	(m³/h) (c.f./h)	(mm) (Inches)					
1/32	3-6	1/8-1/4	71616140	2.0	29	≥ 0.5	≥ 8	2.2	77	0.4	14	3-5	0.1-0.2
3/64	6-20	1/4-3/4	71616141	2.5	37			4.3	151				
1/16	20-75	3/4-3	71616142	3.5	51			7.7	271				
5/64	75-125	3-5	71616143	4.0	58			11.6	408	0.5	18	5-10	0.2-0.4
3/32	125-175	5-7	71616144	4.5	65			17.8	626	0.6	21		
7/64	175-225	7-9	71616145	5.5	80			25.5	879	0.7	25		
1/8	225-300	9-12	71616146	6.5	94	≥ 0.8	≥ 12	34.1	1199	0.9	32	10-15	0.4-0.6

GAS-MIXING GOUGING NOZZLES FOR FUEL GAS ACETYLENE

	Type	Size	Product Code		Type	Size	Product Code
	AGNM-S straight	1/8	71616230		AGNM-C curved	1/8	71616233
	3/16	71616231		3/16	71616234		
	1/4	71616232		1/4	71616235		

STARCUT

HAND CUTTING TORCH
FOR LARGE JOBS



PRODUCT

STARCUT

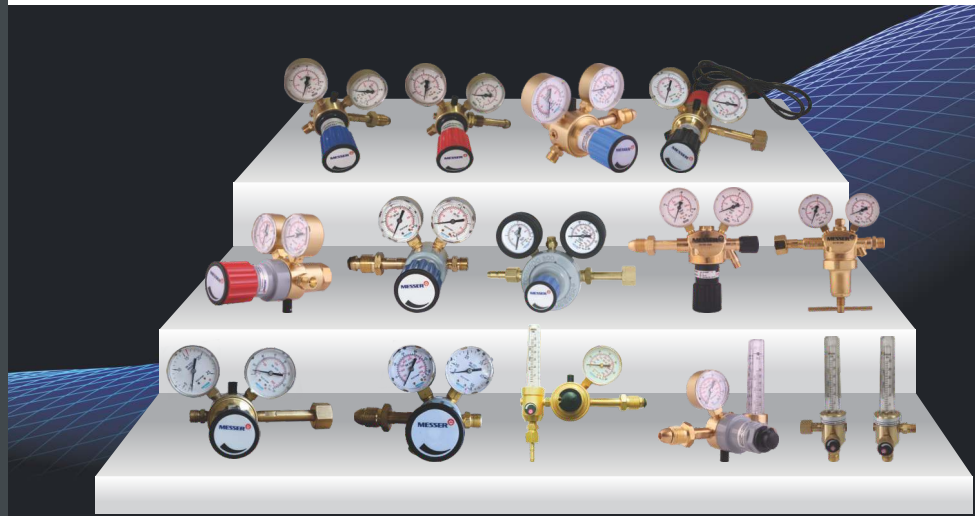
- + Connections - 3/8 " LH for fuel & 3/8 " RH for oxygen
- + Cutting range - 3-300 mm
- + Gas type - Acetylene-Oxygen or PROPANE- Oxygen
- + Heads - 95°, 135° & 180°
- + Length upto 3000mm



Model	Head	Length	Nozzle Type	Product Code
STARCUT 8622	95 DEG	540mm	3 Seat	71606896
STARCUT 8622	95 DEG	1000mm	3 Seat	71606902
STARCUT 8622	95 DEG	1500mm	3 Seat	71606973
STARCUT 8622	95 DEG	2000mm	3 Seat	71606974
STARCUT 8622	95 DEG	2500mm	3 Seat	71606949
STARCUT 8622	95 DEG	3000mm	3 Seat	71607405
STARCUT 9622	180 DEG	540mm	3 Seat	71606946
STARCUT 9622	180 DEG	1000mm	3 Seat	71606947
STARCUT 9622	180 DEG	1500mm	3 Seat	71606945
STARCUT 9622	180 DEG	2000mm	3 Seat	71606975
STARCUT 9622	180 DEG	2500mm	3 Seat	71607403
STARCUT 9622	180 DEG	3000mm	3 Seat	71607404
STARCUT 1615	135 DEG	1000mm	R&S (PMYF)	71605482MOD

PRESSURE REGULATORS

RELIABLE, VERSATILE,
COMPACT &
INTERNATIONALLY
PROVEN



PRODUCT

Complies to EN ISO 2503

S.S. Sintered Central Micro Filter

- + No contamination of Valve Seat
- + No gas leakages

Maintenance Free

- + Thick NBR diaphragm
- + Supported by large Backup Plate

Accurate Control

- + Minimum pressure fluctuation
- + High flow rates even at low cylinder pressures

High Operator Safety

- + Pressure relief valve

Strong, Durable & Safe

- + Forged brass body & housing cap
- + Fire-retardant valve seat material

Sintered Inlet Filter

- + Prevents dust and contaminants from entering the regulator

The Complete Range of Tornado Regulators

TORNADO HEAVY DUTY PRESSURE REGULATOR WITH OUTLET PRESSURE GAUGE



Gas Type	Inlet Pressure	Outlet Pressure	Product Code BSP	Product Code CGA	Product Code BSP / UNF
Oxygen O ₂	230 bar / 3335 psi	10 bar / 145 psi	77051868	77051748	77051746
Acetylene	25 bar / 360 psi	1.5 bar / 22 psi	77051870	77026099	77051762
Propane	25 bar / 360 psi	2.5 bar / 37 psi	77053941*	77051780	77051778
Hydrogen H ₂	230 bar / 3335 psi	10 bar / 145 psi	77051874	77051796	77051794
Nitrogen N ₂	230 bar / 3335 psi	10 bar / 145 psi	77051880	77051844	77051842
Helium He	230 bar / 3335 psi	10 bar / 145 psi	77051882	77051860	77051858
Argon Ar	230 bar / 3335 psi	10 bar / 145 psi	77051807	77051812	77051810

With unique pressure locking facility

*To be used with PROPANE Cylinder Adaptors

TYPHOON PRESSURE REGULATOR FOR GENERAL APPLICATION



Gas Type	Inlet Pressure	Outlet Pressure	Product Code BSP	Product Code CGA	Product Code BSP / UNF
Oxygen O ₂	230 bar / 3335 psi	10 bar / 145 psi	77021059	77021112	77021111
Acetylene	25 bar / 360 psi	1.5 bar / 22 psi	77021063	77021114	77021113
Propane	25 bar / 360 psi	2.5 bar / 37 psi	77021071*	77021116	77021115

TYPHOON DOUBLE STAGE REGULATORS



Gas Type	Inlet Pressure	Outlet Pressure	Product Code BSP	Product Code CGA	Product Code BSP / UNF
Acetylene	25 bar / 360 psi	1.5 bar / 22 psi	77025081	77025108	77025109
N ₂ / Ar	230 bar / 3335 psi	10 bar / 145 psi	77025082	77025096	77025097
Oxygen O ₂	230 bar / 3335 psi	10 bar / 145 psi	77025083	77025093	77025094
Propane	25 bar / 360 psi	2.5 bar / 37 psi	77025084*	77025111	77025112

TORNADO 300 REGULATORS - HIGH FLOW 0-250M³ / Hr. 20 BAR OUTLET PRESSURE



Gas Type	Inlet Pressure	Outlet Pressure	Product Code BSP	Product Code CGA	Product Code BSP / UNF
Oxygen O ₂	230 bar / 3335 psi	20 bar / 290 psi	77053037	77053095	On Request
Argon Ar	230 bar / 3335 psi	20 bar / 290 psi	77053103	77053105	On Request
CO ₂	100 bar / 1450 psi	20 bar / 290 psi	77053207	77053209	On Request
Nitrogen N ₂	230 bar / 3335 psi	20 bar / 290 psi	77053217	77053219	On Request
Acetylene	25 bar / 360 psi	1.5 bar / 22 psi	77053047	77053049	On Request
Propane	25 bar / 360 psi	2.5 bar / 37 psi	77053057*	77053035	On Request

TORNADO PLUS PRESSURE REGULATOR WITH OUTLET PRESSURE GAUGE



Gas Type	Inlet Pressure	Outlet Pressure	Product Code BSP	Product Code CGA	Product Code BSP / UNF
Oxygen O ₂	230 bar / 3335 psi	10 bar / 145 psi	71622050	80830894	80830898
Acetylene	25 bar / 360 psi	1.5 bar / 22 psi	71622086	80830895	80830899
Propane	25 bar / 360 psi	2.5 bar / 37 psi	71622118*	80831030	80831031

CONSTANT 2000 WITH HIGH PRESSURE



Gas Type	Inlet Pressure	Outlet Pressure	Product Code BSP	Product Code CGA	Product Code BSP / UNF
Nitrogen N ₂	200 bar / 2900 psi	100 bar / 1450 psi	71620341MOD	On Request	On Request
Nitrogen N ₂	200 bar / 4350 psi	150 bar / 2175 psi	71620342MOD	On Request	On Request
Nitrogen N ₂	200 bar / 4350 psi	200 bar / 2900 psi	71620343MOD	On Request	On Request

*To be used with PROPANE Cylinder Adapters

CONSTANT 2000



Gas Type	Inlet Pressure	Outlet Pressure	Product Code BSP	Product Code CGA	Product Code BSP / UNF
Hydrogen H ₂	200 bar / 2900 psi	10 bar / 145 psi	71620110	On Request	On Request
Oxygen O ₂	200 bar / 2900 psi	10 bar / 145 psi	71620250	On Request	On Request
Oxygen O ₂	200 bar / 2900 psi	20 bar / 290 psi	71620250MOD	On Request	On Request
Oxygen O ₂	200 bar / 2900 psi	50 bar / 725 psi	71705344	On Request	On Request
Nitrogen N ₂	200 bar / 2900 psi	20 bar / 290 psi	71620134MOD	On Request	On Request
Nitrogen N ₂	200 bar / 2900 psi	50 bar / 725 psi	71620340MOD	On Request	On Request
Compressed Air	200 bar / 2900 psi	10 bar / 145 psi	71620141MOD	On Request	On Request
Compressed Air	200 bar / 2900 psi	20 bar / 290 psi	71620142MOD	On Request	On Request

WELDING REGULATOR AND FLOWMETERS



HEAVY DUTY CYLINDER PRESSURE REGULATORS WITH OUTLET SINGLE FLOWMETER

Gas Type	Inlet Pressure	Outlet Flow	Product Code BSP	Product Code CGA	Product Code BSP / UNF
Argon Ar	230 bar / 3335 psi	30 L/min	77052128	77052132	77052130
CO ₂	100 bar / 1450 psi	30 L/min	77052134	77052138	77052136
Nitrogen N ₂	230 bar / 3335 psi	30 L/min	77052140	77052144	77052142
Hydrogen H ₂	230 bar / 3335 psi	30 L/min	77052146	77052150	77052148

TORNADO CO₂ REGULATOR WITH INBUILT PREHEATER



Gas Type	Inlet Pressure	Outlet Flow	Product Code BSP	Product Code CGA	Product Code BSP / UNF
CO ₂	100 bar / 1450 psi	32 L/min	77026098	77052891	77052893
CO ₂	100 bar / 1450 psi	30 L/min	77052900	77052901	77052902

TORNADO HEAVY DUTY PRESSURE REGULATOR WITH OUTLET FLOW GAUGE



Gas Type	Inlet Pressure	Outlet Flow	Product Code BSP	Product Code CGA	Product Code BSP / UNF
Argon Ar	230 bar / 3335 psi	32 L/min	77052018	77052026	77052022
CO ₂	100 bar / 1450 psi	32 L/min	77052030	77052038	77052034

With unique flow locking facility

TYPHOON PRESSURE REGULATOR WITH OUTLET FLOW GAUGE



Gas Type	Inlet Pressure	Outlet Flow	Product Code BSP	Product Code CGA	Product Code BSP / UNF
CO ₂	100 bar / 1450 psi	32 L/min	77021779	On Request	On Request
Argon Ar	230 bar / 3335 psi	32 L/min	77021780	On Request	On Request



TYPHOON REGULATOR WITH FLOWMETER

Gas Type	Inlet Pressure	Outlet Flow	Product Code BSP	Product Code CGA	Product Code BSP / UNF
Argon Ar	230 bar / 3335 psi	30 L/min	77021093	77021129	77021128
CO ₂	100 bar / 1450 psi	30 L/min	77021097	77021132	77021131



TYPHOON DOUBLE STAGE REGULATOR WITH FLOWMETER (GAS SAVER)

Gas Type	Inlet Pressure	Outlet Flow	Product Code BSP	Product Code CGA	Product Code BSP / UNF
Argon Ar	230 bar / 3335 psi	30 L/min	77025113	77025114	77025115
CO ₂	100 bar / 1450 psi	30 L/min	77025116	77025117	77025118



TORNADO LILLIPUT SERIES REGULATORS

Gas Type	Inlet Pressure	Outlet Flow	Product Code BSP	Product Code CGA	Product Code BSP / UNF
Argon Ar + CO ₂	230 bar / 3335 psi	30 L/min	77053951	77021043	77026008
Argon Ar	230 bar / 3335 psi	30 L/min	77053952	77021041	77026006
CO ₂	100 bar / 1450 psi	30 L/min	77053953	77021042	77026007



FLOWMETER

Gas Type	Outlet Flow	Product Code BSP	Product Code CGA	Product Code BSP / UNF
Argon Ar + CO ₂	30 L/min	77052924MOD	77052930	77052930
Argon Ar + CO ₂	30 L/min	77050659	77050660	77050660



SHIELDING GAS SAVER

Connection	Preset Outlet Pressure	Article Number
G 1/4" RH	1.2 bar*	77021983
G 3/8" RH	1.2 bar*	77021984

*Individually adjustable

During the welding process, an overpressure builds up between the pressure reducer and the welding device before and after each ignition process. During ignition, the pressure is released abruptly and only the previously set flow rate is regulated.

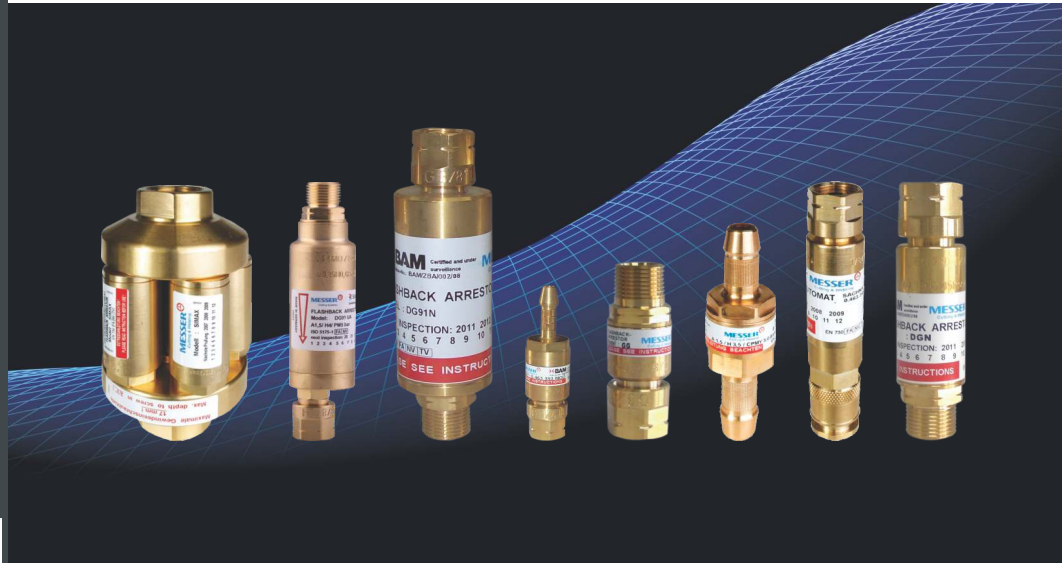
The shielding gas saver is designed to eliminate overpressure at the start of the welding process and ensure constant flow and pressure.

Reducing the overpressure at the beginning of each MIG/MAG welding process reduces the amount of gas escaping during each ignition process. With every bit of gas you save, you directly reduce your costs and thus you save money!

Furthermore, no excess gas penetrates into the liquid weld metal, thus no pores or inclusions are formed: The quality of the weld seam is increased!

FLASHBACK ARRESTOR

WORLD CLASS SAFETY
EQUIPMENT



PRODUCT

Complies to EN ISO 5175-1



Model	Description	Connections	Product Code BSP	Connections	Product Code BSP / UNF
GG91 Fuel	FBA Torch Side Fuel Gas (Propane / DA)	G 3/8" LH	463388	UNF 9/16" LH	463579
GG91 Oxy	FBA Torch Side Oxygen	G 3/8" RH	463390	UNF 9/16" RH	463578



Model	Description	Connections	Product Code BSP	Connections	Product Code BSP / UNF
DGN Fuel	FBA Regulator Side Fuel Gas (Propane / DA)	G 3/8" LH	463385	UNF 9/16" LH	463397
DGN Oxy	FBA Regulator Side Oxygen	G 3/8" RH	463387	UNF 9/16" RH	463568



Model	Description	Connections	Product Code BSP	Connections	Product Code BSP / UNF
DG91 UA Fuel	FBA Regulator Side Fuel Gas (Propane / DA)	G 3/8" LH	463857	UNF 9/16" LH	On Request
DG91 UA Oxy	FBA Regulator Side Oxygen	G 3/8" RH	463860	UNF 9/16" RH	On Request



Model	Description	Connections	Product Code BSP	Connections	Product Code BSP / UNF
DG91N Fuel	FBA Regulator Side Fuel Gas (Propane / DA)	G 3/8" LH	463829	UNF 9/16" LH	463573
DG91N Oxy	FBA Regulator Side Oxygen	G 3/8" RH	463832	UNF 9/16" RH	463574
Model	Description	Connections		Product Code	
DG91N Fuel	FBA Regulator Side Fuel Gas (Propane / DA)	G 1/2" LH		463830	
DG91N Oxy	FBA Regulator Side Oxygen	G 1/2" RH		463833	



Model	Description	Connections	Product Code
Demax 5 Fuel	FBA For Manifold Fuel Gas	G 1" RH	463840
Demax 5 Oxy	FBA For Manifold Oxygen	G 1" RH	463841



Model	Description	Connections	Product Code
Simax 3 Fuel	FBA For Manifold Fuel Gas	G 1" RH	463842
Simax 3 Oxy	FBA For Manifold Oxygen	G 1" RH	463843
Simax 5 Fuel	FBA For Manifold Fuel Gas	G 1" RH	463844
Simax 5 Oxy	FBA For Manifold Oxygen	G 1" RH	463845

FLASHBACK ARRESTORS FOR MACHINE CUTTING TORCHES

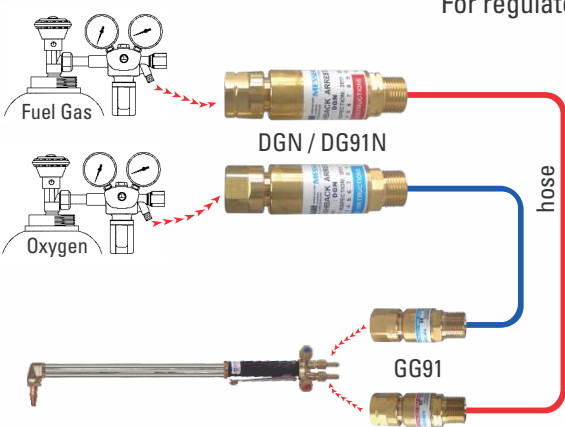
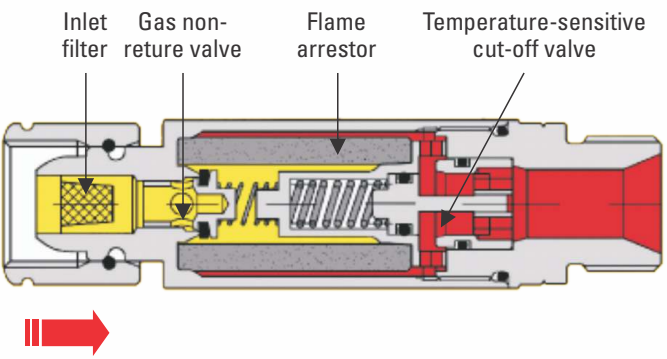
Description	Connections	Product Code
FBA for heating oxygen	G 1/4" RH	0647583
FBA for cutting oxygen	G 3/8" RH	0647584
FBA for fuel gas (PROPANE / DA)	G 3/8" LH	0346364

The right connection for all gas applications

FLASHBACK ARRESTOR PLACEMENT

FLASHBACK ARRESTOR FUNCTIONING

For regulator connection: Flashback arrestor type model DGN according ISO 5175-1 with filter, non-return valve, flame arrestor and thermal cut-off valve

PVGD & PVHD testing M/c

We provide testing & cleaning facility of FBA by Messer make PVGD & PVHD testing machines as per procedure laid by Messers Germany.



STARLIGHT / STAR

HEATING, WELDING,
BRAZING AND FLAME
STRAIGHTENING



PRODUCT

New Monoblock Valve

- + For higher flow rates and precise adjustment

High Operational Safety

- + Injector mixing principle backfire & backflow resistant

High Gas Flow Rates

- + Heavy duty applications



Robust Construction

- + Valve housing of the handpiece is made of brass Corrosion free & durable



Balanced Weight - Ergonomic Design

- + High productivity

STARLIGHT HEATING TORCHES FOR FUEL GAS ACETYLENE & PROPANE


 Starlight Handle	 FB-5 HF-12	Type	Description	Product Code BSP G3/8" RH & LH	Product Code UNF 9/16" RH & LH	Gas	
		1302 MB	Starlight Handle	71605976	71605977	Propane / C ₂ H ₂ - Acetylene	
		Size	O₂-Consumption	Overall length approx.	Product Code tip complete	Product Code heating nozzle	Gas
	FB5*	0.5 - 0.9 m ³ /h	430 mm	71651809	71600725	Acetylene	
	HF12	5 - 12 m ³ /h	430 mm	71651722	71605646	Propane	

STAR HEATING TORCHES FOR FUEL GAS ACETYLENE & PROPANE


 Star Handle	 FB-9 HF-14	Type	Description	Product Code BSP G3/8" RH & LH	Product Code UNF 9/16" RH & LH	Gas	
		2020 MB	Star Handle	71607230	71607231	Propane / C ₂ H ₂ - Acetylene	
		Size	O₂-Consumption	Overall length approx.	Product Code tip complete	Product Code heating nozzle	Gas
	FB9*	3.1 - 5.5 m ³ /h	675 mm	71600759	71600779	Acetylene	
	HF14	13 - 35 m ³ /h	720 mm	71605644	71605648	Propane	

*Special low sound nozzle - "Whisper"


MIXING TUBE WITH HAMMERED FINISH WELDING, BRAZING AND HEATING NOZZLE, CENTRAL FLAME OUTLET

 S-P	Size	O ₂ -Consumption	Overall length approx.	Product Code tip complete	Product Code heating nozzle	Gas
	4	500 l/h	207 mm	71606494	71606484	Propane
	5	800 l/h	245 mm	71606495	71606485	Propane
	6	1.250 l/h	266 mm	71606496	71606486	Propane


MIXING TUBE WITH HAMMERED FINISH WELDING, BRAZING AND HEATING NOZZLE, CENTRAL FLAME OUTLET

 S-A	Size	O ₂ -Consumption	Welding Range	Product Code tip complete	Product Code heating nozzle	Gas
	4	500 l/h	4.0 - 6.0 mm	71605054	71605044	Acetylene
	5	800 l/h	6.0 - 9.0 mm	71605055	71605045	Acetylene
	6	1250 l/h	9.0 - 14.0 mm	71605056	71605046	Acetylene


STABILISED, CENTRAL FLAME OUTLET, NOZZLES REPLACEABLE

 A	Size	O ₂ -Consumption	Overall length approx.	Product Code tip complete	Product Code heating nozzle	Gas
	7	1.2 - 4.2 m ³ /h	430 mm	71651805	24234710	Acetylene
	8	1.8 - 4.6 m ³ /h	580 mm	71651806	24234810	Acetylene

STABILISED, CENTRAL FLAME OUTLET, NOZZLES REPLACEABLE

 P	Size	O ₂ -Consumption	Overall length approx.	Product Code tip complete	Product Code heating nozzle	Gas
	8	2 - 6 m ³ /h	430 mm	71651713	71601234	Propane
	10	6 - 14 m ³ /h	580 mm	71651714	71601235	Propane

FLAME STRAIGHTENING TORCH

	Product Code	Product Description
	71606811	FLAME STRAIGHTENING TORCH Z3 A 4-6MM
	71606813	FLAME STRAIGHTENING TORCH Z5 A 4-6MM

SPARE NOZZLE (OF FLAME STRAIGHTENING TORCH) 24234410

AIRTHERM
HEATING TORCH



PRODUCT

The New High Performance Brazing and Heating torch AIRTHERM *FSH-P* continues the tradition of Messer gas brazing and heating equipment with the quality and reliability, which is synonymous with Messer.

The torch series AIRTHERM *FSH-P* for fuel gas propane/atmospheric air with a power and highly stable flame even in most adverse conditions is a proven design incorporating the latest technical features necessary to meet the ever-changing applications and requirements for gas brazing and heating.

The Brazing and Heating Torch AIRTHERM *FSH-P* is the low cost, high quality, value alternative.

TORCH HANDLE AIRTHERM 2002:

with hexagon nut DIN 8542, PN40-G 3/8 LH and Hose Nipple DIN 8542, PN40-G 3/8 LH / 6,3 mm

STAINLESS STEEL HEATING AND BRAZING NOZZLES FSH-P:

Only Handle
Part No.: 0463452





AIRTHERM TORCH - Complete Set of Handle, Neck and Heating Nozzle

Super 50	80830486	Heating Torch
Super 60	80830361	Heating Torch

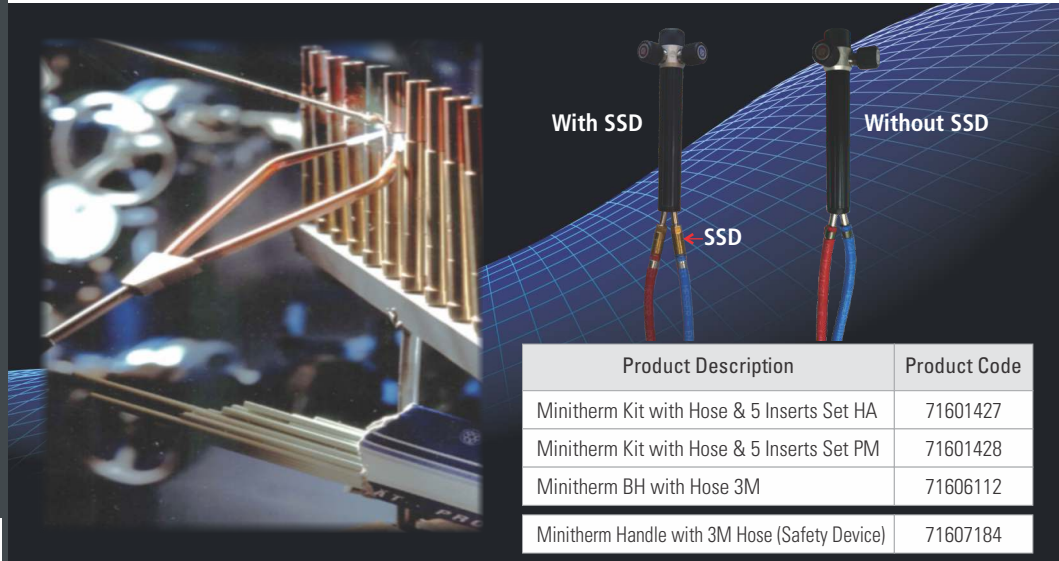
Torch Neck AIRTHERM 2002, length 200 mm - 05321260
Torch Neck AIRTHERM 2002, length 350 mm - 05321270
Torch Neck AIRTHERM 2002, length 750 mm - 05321290
Torch Neck AIRTHERM 2002, length 1000 mm - 05321300

OPERATING DATA:

	Airtherm Heating Nozzle	Product Code	Connection Thread	Fuel Gas	Propane		Flame-Capacity (kW/h)
					Pressure (Bar)	Consumption (l/H)	
	FSH 30	71651918	Female thread M 20 x 1.0 (flat sealing)	Propane	1.5 - 4.0	600 - 1050	15 - 27
	FSH 40	71651919				1050 - 2100	27 - 54
	FSH 50	71651920				1850 - 3750	47 - 98
	FSH 60	71651921				2700 - 4900	71 - 126
	FSH 80	71651922				3200 - 5400	83 - 139

MINITHERM

THE FEATHER WEIGHT
WELDING AND BRAZING
TORCH



PRODUCT

MINITHERM INSERTS TYPE HA, FUEL GASE HYDROGEN AND ACETYLENE

Size	Product Code	Oxygen Pressure (bar)	Acetylene Pressure (bar)	Hydrogen Pressure (bar)	Oxygen consumption (l/h)	Acetylene consumption (l/h)	Hydrogen consumption (l/h)
0-HA	71600979	0.5 - 2.5	> 0.2	> 0.5	28 - 72	28 - 72	78 - 200
1-HA	71600980	0.5 - 2.5	> 0.2	> 0.5	58 - 150	58 - 150	161 - 420
2-HA	71600981	1.0 - 2.5	> 0.2	> 0.5	155 - 285	155 - 285	431 - 792
3-HA	71600982	1.0 - 3.0	> 0.2	> 0.5	215 - 440	215 - 440	597 - 1220

MINITHERM INSERTS TYPE PMYF, FUEL GASE PROPANE, MAPP, GRIESON, PROPANE

Size	Product Code	Oxygen Pressure (bar)	Fuel gas Pressure (bar)	Oxygen consumption (bar)	Propane consumption (l/h)	MAPP consumption (l/h)	GRIESON consumption (l/h)
0-PMYF	71600989	0.5 - 2.5	> 0.2	28 - 72	8 - 20	11 - 29	16 - 40
1-PMYF	71600990	0.5 - 2.5	> 0.2	58 - 150	16 - 41	23 - 60	32 - 83
2-PMYF	71600991	1.0 - 2.5	> 0.2	155 - 285	42 - 77	62 - 114	86 - 158
3-PMYF	71600992	1.0 - 3.0	> 0.2	215 - 440	58 - 119	86 - 176	119 - 244

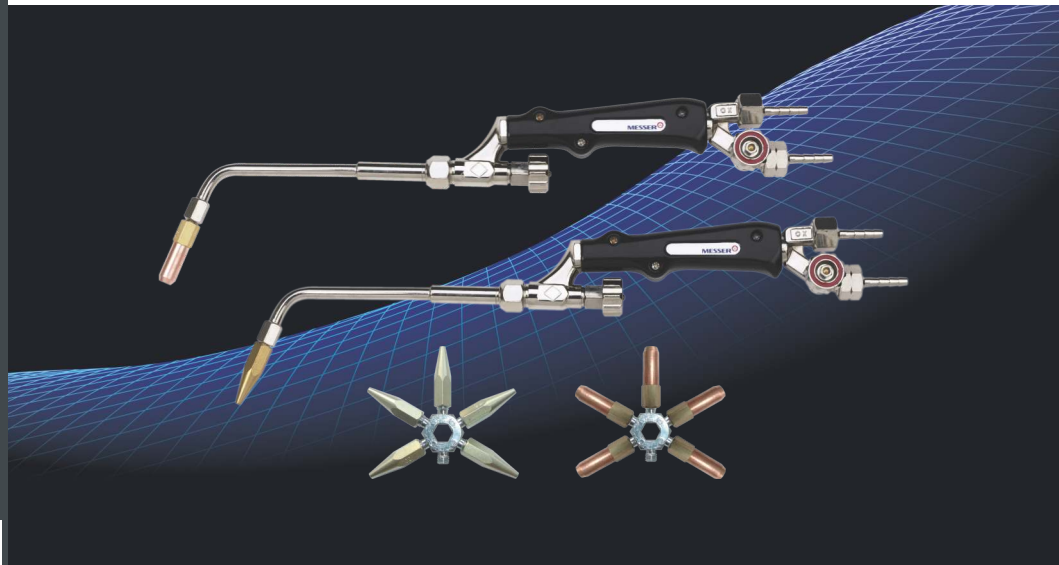
MINITHERM FORKED TORCHES TYPE Z-HA, FUEL HYDROGEN AND ACETYLENE

Size	Product Code	Oxygen Pressure (bar)	Acetylene Pressure (bar)	Oxygen consumption (l/h)	Acetylene consumption (l/h)	Hydrogen consumption (l/h)
Z 2 HA	71602560	1.0 - 3.0	> 0.5	310 - 570	282 - 518	861 - 1583
Z 3 HA	71650466	2.0 - 5.5	> 0.5	430 - 880	391 - 800	1194 - 2444

MINITHERM INSERTS TYPE PMYF, FUEL GASE PROPANE, MAPP, GRIESON, PROPANE

Size	Product Code	Oxygen Pressure (bar)	Fuel Gas Pressure (bar)	Oxygen consumption (l/h)	Propane consumption (l/h)	Methane (N.G.) consumption (l/h)	MAPP consumption (l/h)	GRIESON consumption (l/h)
Z 2 PMYF	71650471	1.0 - 3.0	> 0.5	310 - 570	583 - 1972	83 - 152	111 - 204	172 - 317
Z 3 PMYE	71650472	1.0 - 5.5	> 0.5	430 - 880	778 - 1167	115 - 235	154 - 314	239 - 489

ALL GAS 2003
THE UNIVERSAL NEEDLE
INJECTOR BRAZING TORCH



PRODUCT

Operating Safety

- + High resistance to back fires

Accurate Flame Control

- + By adjustable injector needle valve

Slim Design

- + Excellent torch handling

Light Weight

- + Total weight only 468 gms.

Torch Details :

Torch set ALLGAS 2003 *A/PMYF* for fuel gas Acetylene with :



5 acetylene nozzles size 25-A, 50-A, 75-A, 100-A and 150-A/2 acetylene nozzles 100-A & 150-A nozzle holder, hexagon nuts and nipples for hoses and operating instructions
Product Code : 71651668

Torch set ALLGAS 2003 *A/PMYF* for fuel gas PROPANE with :

5 propane nozzles size 25-P, 50-P, 75-P, 100-P and 150-P / 2 propane nozzle 100-P & 150-P nozzle holder, nuts and nipples for hoses and operating instructions Product Code : 71651669

Nozzle-spanner/nozzle-holder Product Code : 71651739

Nozzle Details :

ALLGAS 2003 Nozzle Size / Type	Gas- service	Product Code	Welding Range [mm]	Operating Pressures		Flow Rates	
				Oxygen [bar]	Fuel Gas [bar]	Oxygen [L/h]	Fuel Gas [L/h]
	Acetylene	71651670	0.2 - 0.5	0.5 - 0.8	0.3	30 - 90	30 - 90
		71651671	0.5 - 0.8	0.8 - 1.0		40 - 130	40 - 130
		71651672	1.0 - 1.5	1.0 - 1.5		60 - 200	60 - 200
		71651673	1.5 - 2.0	1.5 - 2.0		80 - 250	80 - 250
		71651674	2.0 - 2.5	2.0 - 2.5		100 - 300	100 - 300
	Propane	71651675	0.2 - 0.5	0.5 - 0.8	0.2	30 - 90	1 - 25
		71651676	0.5 - 0.8	0.8 - 1.0		40 - 130	11 - 35
		71651677	1.0 - 1.5	1.0 - 1.5		60 - 200	16 - 55
		71651678	1.5 - 2.0	1.5 - 2.0		80 - 250	22 - 70
		71651679	2.0 - 2.5	2.0 - 2.5		100 - 300	27 - 83

GAS ECONOMIZER

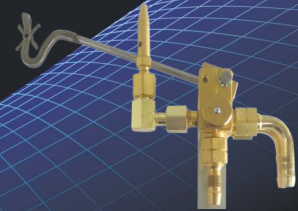
SAVES GAS & INCREASES
PRODUCTIVITY



IGE Gas Economiser

Pilot Flame

- Easy restart of torch without resetting of flame



Gas Economiser for Minitherm

Easy Installation

- Can be fitted on any work bench or wall bracket

PRODUCT

It discontinues automatically the supply of oxygen and fuel gas to the torch when the torch is placed on the hook during the intervals between operations. The flame does not require re-setting on resuming operations. When the torch is unhooked, the full gas flow supply is released and the previous mixing ratio is maintained. Absolutely necessary whenever work involves frequent temporary stoppages; as in production brazing. Greatly improves brazing efficiency & productivity and economy in gas consumption.

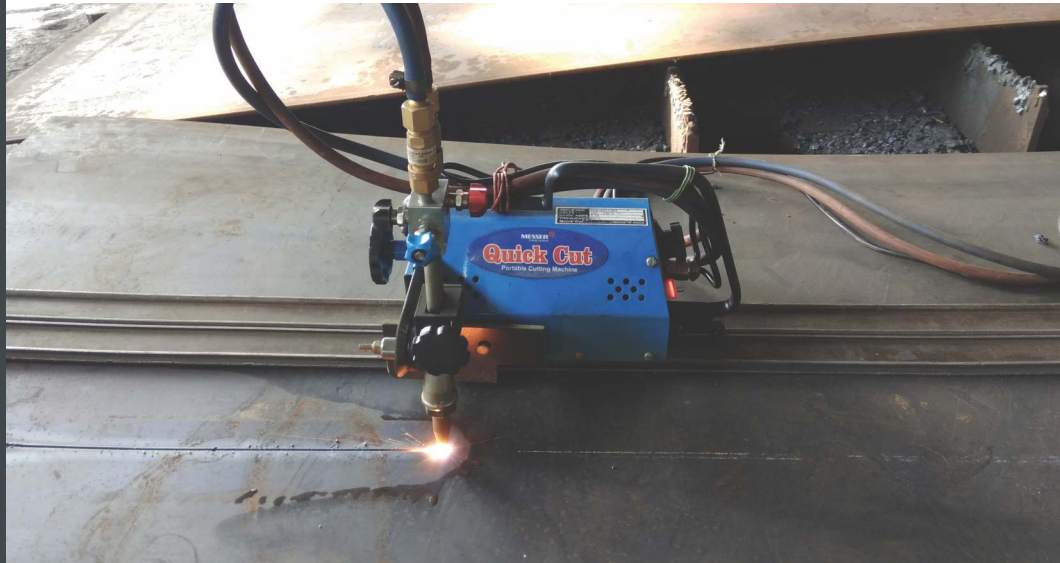
- + Designed in accordance to the most current internationally recognized standards EN ISO, BSP, CGA and NFS.
- + Manufactured under the quality management system of EN ISO 9001.
- + 100% tested before dispatch.
- + Principally designed for general workshop welding, heating and brazing upto 3.5 bar / 51 psi oxygen pressure.
- + Simple to fit to any work bench or wall bracket with angle mounting bracket supplied.

Gas Economizer Type	Product Code	Inlet/Outlet Connection Standard	Gas Service	Inlet Connection Oxygen	Inlet Connection Fuel Gas	Outlet Connection Oxygen	Outlet Connection Fuel Gas
IGE / B-A	71606431	BSP	Acetylene	G 3/8" RH (M)	G 3/8" LH (M)	G 3/8" RH (M)	G 3/8" LH (M)
IGE / B-P	71606436	BSP	Propane	G 3/8" RH (M)	G 3/8" LH (M)	G 3/8" LH (M)	G 3/8" LH (M)
G/E FOR MINITHERM-A	71607014MOD	BSP	Acetylene	G 3/8" RH (M)	G 3/8" LH (M)	G 3/8" RH (M)	G 3/8" LH (M)
G/E FOR MINITHERM-P	71607015MOD	BSP	Propane	G 3/8" RH (M)	G 3/8" LH (M)	G 3/8" RH (M)	G 3/8" LH (M)
G/E FOR MINITHERM-A*	71607025	BSP	Acetylene	G 1/4" RH	G 3/8" LH (M)	G 1/4" LH (M)	G 3/8" LH (M)
G/E FOR MINITHERM-P*	71607026	BSP	Propane	G 1/4" RH	G 3/8" LH (M)	G 1/4" LH (M)	G 3/8" LH (M)

* Minitherm Economizer with Flame Monitoring as additional Safety Feature.

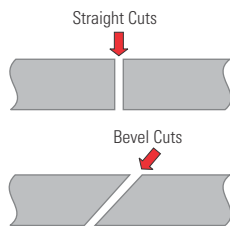
QUICK CUT

PORTABLE GAS CUTTING
MACHINE



PRODUCT

Capable to straight & bevel cuts



* Machine can be used for circle cutting using attachment available as optional.

Product Code -
M716RAILTRACK

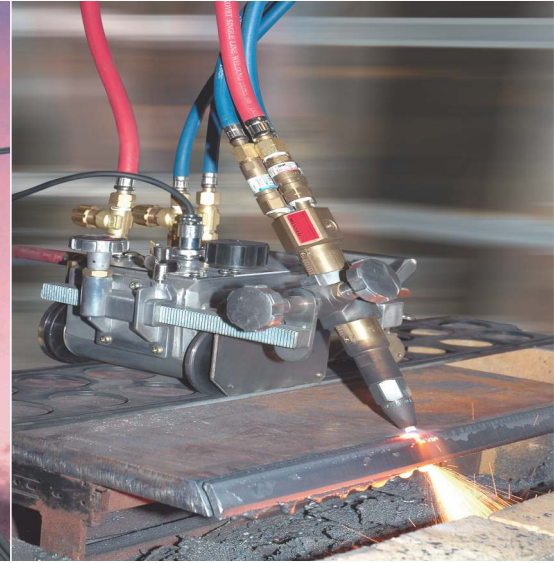
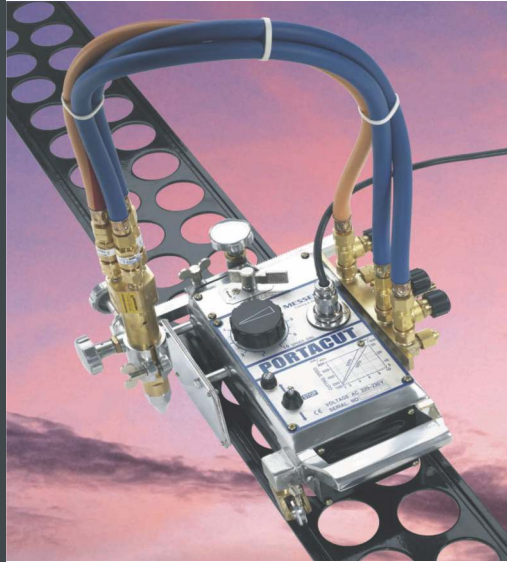


Machine Specifications

Drive	: Single phase motor
Speed Control	: Potentiometer
Input Voltage	: 230V single phase 50Hz
Speed	: 200mm/min to 1000mm/min
Cutting Range	: 3mm to 100mm
Cutting Type	: Nozzle Mixing (NM)
Gas Type	: Oxygen & Acetylene PROPANE - Oxygen
Nozzle	: 3 seat ANME for Acetylene or PNME for PROPANE - Messer Make
Connections	: 3/8" RH Oxygen and 3/8" LH fuel
To be Used with	: Aluminum Guide Track
Safety Devices	: BAM approved Messer make Flash back arrestors for Oxygen & fuel (Not included in machine box)

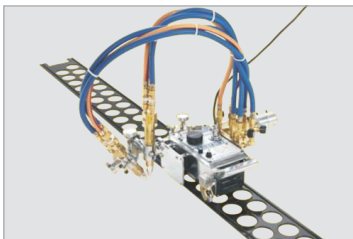
PORTACUT

PORTABLE GAS CUTTING
MACHINE



PRODUCT

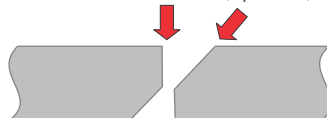
- + 40% Higher Productivity than Conventional Machine
- + 60% Less Post Cutting Grinding Operation upto 300mm Cutting



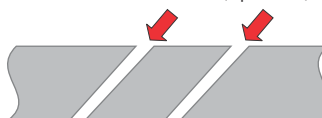
Portacut with 2 torches (optional)

Cutting versatility

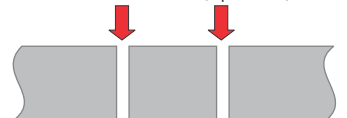
Straight or curve multi-bevel cuts with two torches (optional)



Straight or curve bevel cuts with two torches (optional)

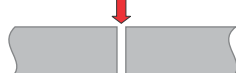


Straight or curve cuts with two torches (optional)



Portacut circle cutting attachment

Straight or curve cuts with one torch



Straight or curve bevel cut with one torch



Portacut with 1 torch (standard) cutting a 300mm slab





Functions control by forward/off/reverse switch, clutch lever and speed adjustment knob.

- + Power source: AC 230V, 50/60Hz
- + Speed control: Single cone system.
- + Cutting thickness: 3-300 mm
- + Strip cutting range: 80-300mm
- + Motor: Condenser-induction, AC 230V, 10 W
- + Weight: 9.5 kg
- + Cutting speed: 50-800 mm/min
- + Circle cutting: 150-2400mm diameter

- + Portacut machine with 1 injector cutting torch for fuel gas acetylene:..... 71651782
- + Portacut machine with 1 injector cutting torch for fuel gas propane/natural gas:..... 71651783



- + Portacut machine with 1 injector cutting torch for fuel gas acetylene:..... 71651790
- + Portacut machine with 1 injector cutting torch for fuel gas propane/natural gas:..... 71652018



- + Injector machine cutting torch MSZ 832/110-A for fuel gas acetylene: 71651787
- + Injector machine cutting torch MSZ 832/110-PMYF for fuel gas propane/natural gas:..... 71651788



- + Adjusting valve for heating oxygen, G 1/4" RH:..... 71800500
- + Adjusting valve for cutting oxygen, G 3/8" RH:..... 71800501
- + Adjusting valve for fuel gas G 3/8" LH:..... 71800502
- + Flashback arrestor for heating oxygen, G 1/4" RH:..... 0647583
- + Flashback arrestor for cutting oxygen, G 3/8" RH:..... 0647584
- + Flashback arrestor for fuel gas, G 3/8" LH:..... 0646364



- + Extended rack bar:..... 71651791
- + Counter weight :..... 71651792
- + Circle cutting attachment, diameter 60-2400mm:..... 71651793
- + Standard hose package, length 730mm :..... 71651929
- + Extended hose package, length 950mm:..... 71651930
- + Cross feed torch holder for strip and multi bevel cuts: 71651794

GAS HOSES

BEST QUALITY HOSES
FOR GAS WELDING,
BRAZING, HEATING &
CUTTING.



PRODUCT

Complies to ISO 3821, AS 1335

- + Applications: For use with welding and allied processes in workshops, Shipyards, construction site and manufacturing industries.
- + Tube: High ignition temperature EPDM
- + Reinforcement: High tensile synthetic textile filament yarn
- + Cover: Excellent ozone and weather resistant synthetic rubber
- + Color: ● Blue (Oxygen) / ● Red (Acetylene) / ● Orange (Propane)
- + Operating Temperature: -25° C to +80° C
- + Safety Factor: 3 : 1
- + Surface: Smooth



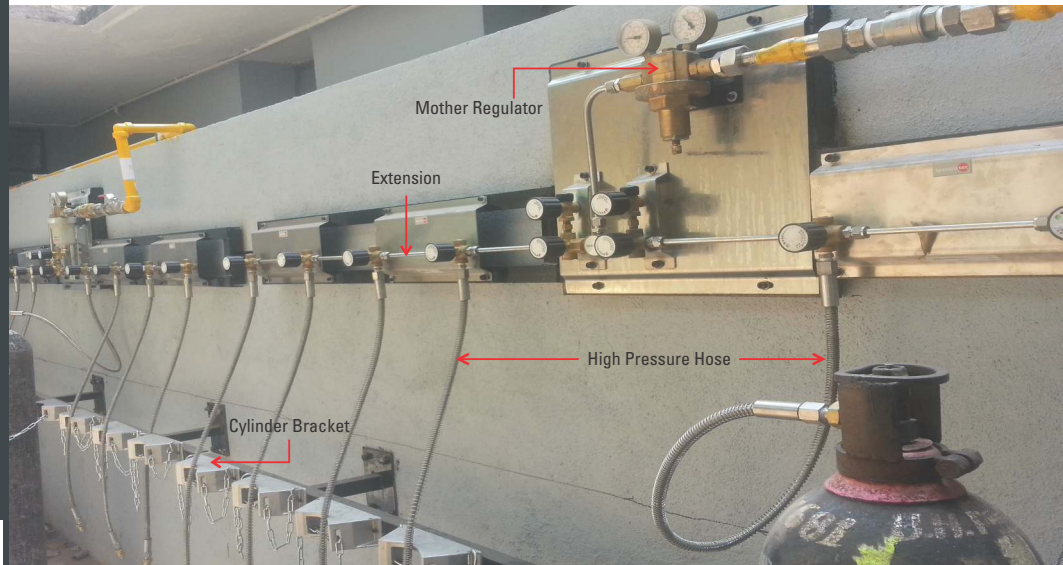
8mm ID Pre-Crimped Hose

Sr. No.	Length	Part Code (Blue)	Part Code (Red)	Part Code (Orange)	Part Code (Twin)
1	10mtr	80132711	80132715	80132713	80132717
2	20mtr	80132724	80132728	80132726	80132733
3	30mtr	80132712	80132716	80132714	80132718
4	50mtr	80132725	80132729	80132727	80132734

Product Code	Description	Gas Type	Color	ID (mm)	OD (mm)	WP (Kg/Cm ²)	BP (Kg/Cm ²)	Length/ Roll (M)
SINGLE LINE HOSE								
80130856	8X15MM 100M ROLL OXY BLUE HOSE MESSER	OXYGEN	BLUE	8	15	20	60	100
80130858	8X15MM 100M ROLL ACET RED HOSE MESSER	ACETELYNE	RED	8	15	20	60	100
AMCL080SJ01	8X15MM 100M ROLL PROPANE ORANGE HOSE MESSER	PROPANE	ORANGE	8	15	20	60	100
AMCS06USJ01	6.3 X 13 MM 100M ROLL OXY BLU HOSE MESSER	OXYGEN	BLUE	6.3	13	20	60	100
AMCS06RSJ01	6.3 X 13 MM 100M ROLL ACET HOSE MESSER	ACETELYNE	RED	6.3	13	20	60	100
AMCS10USJ03	10 X 17 MM 100M ROLL OXY BLUE HOSE MESSER	OXYGEN	BLUE	10	17	20	60	100
AMCS10RSJ03	10 X 17 MM 100M ROLL ACET RED HOSE MESSER	ACETELYNE	RED	10	17	20	60	100
TWIN HOSE								
AMCT883SJ01	8X15/8X15MM 100M ROLL TWIN HOSE OXY/ACET	OXY/ACET	BLUE/RED	8 + 8	15 + 15	20	60	100
UNIVERSAL FUEL GAS HOSE								
80830443	ORANGE/RED UNIVERSAL FUEL GAS HOSE 8X15 MM	FUEL GAS	ORANGE/RED	8	15	20	60	100

GAS MANIFOLD SYSTEMS

UNINTERRUPTED GAS SUPPLY FOR YOUR APPLICATIONS



PRODUCT

Gas cylinders are used for many applications in factories, workshops, laboratories, hospitals, universities, etc. The gases used have many different physical and chemical properties and they may cause dangerous situations if not handled properly. The best solution is to locate gas cylinder outside the working area and distribute the gas by pipeline to the point of use. Apart from safety, this approach offers quite a few advantages over using single cylinders at the point of use as below -

Safety

- + Leaking gas cylinders may create dangerous situations Viz., - fire, explosion, toxic gases: injuries, suffocation etc.,
- + Cylinders may drop and damages or cause injuries, as compressed gas cylinders can fly like rockets in case they are damaged at the valve area.

Reliability

- + Uninterrupted gas supply by pressure monitoring and/or automatic change-over of the manifold systems.
- + EStable working pressure of the gases on a continuous basis.

Other advantages

- + Manifolding reduces clutter & increases working space in the shop floor
- + Less damage to pressure regulators, hoses and other fittings
- + Easier control of leak tightness

A Central Distribution System for gases must fulfil the following requirements:

- + Uninterrupted supply of gas
- + Maintain the integrity and purity of the gas up to the point of use
- + Safe distribution of the gas

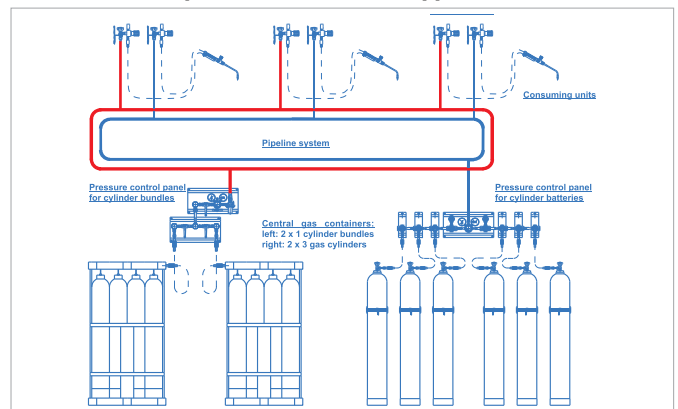
Gas purity

- + The purity of the gas is maintained by using specially designed and cleaned - equipment with integrated purge valves

Cost savings

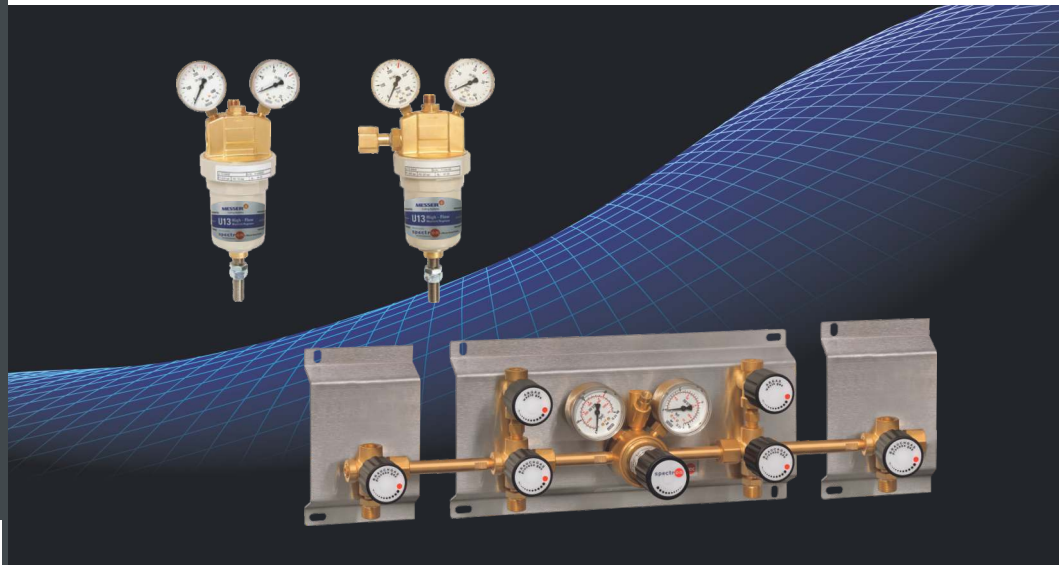
- + Gas cylinders at a central location are easier to handle
- + You can have lesser no of gas cylinders working and save on cylinder rentals
- + Cylinder control panels ensure more efficient use of the gas cylinders
- + Due to better control of the gas purity, all related equipment have a much longer life time

Schematic example for a central gas supply system



REGULATORS FOR MANIFOLD APPLICATIONS

RELIABLE, VERSATILE,
COMPACT &
INTERNATIONALLY PROVEN



PRODUCT

Pressure Regulator U13



- + Diaphragm pressure regulator
- + For non-corrosive industrial gases
- + Single-stage with high control accuracy
- + Central filter in the pressure regulator
- + Safety pressure gauge acc. to DINEN562
- + Pressure regulator with integrated relief valve
- + Pressure regulator for oxygen with filter in inlet fitting
- + Accessories like wall brackets and in-/outlet fittings are also available

Technical Data

Type	single-stage
Flow rate Q	max. 500 m ³ /h
Inlet pressure P ₁	max. 40 / 200 / 300 bar
Outlet pressure P ₂	see table below
at P ₁ = 40 bar:	max. 5...30 bar
at P ₁ = 300 bar:	max. 14...35 ^{*)} bar for oxygen up to 30 bar available!

Materials	
Body regulator:	brass
Bonnet:	Alu (powder coated)
Diaphragm regulator:	NBR
Valve seat regulator:	PA

Control Panels BU13



- + Pressure control panels for high flow rates
- + For non-corrosive technical gases
- + Ergonomically designed
- + Modular design (to be extended to 1x2, 1x3, 2x2, 2x3 etc. cylinders)
- + Filter at the process gas inlet valve
- + Central filter in the regulator
- + Regulator with high control accuracy and integrated relief valve
- + Shut-off valves with On/Off-position indicators
- + Process gas and purge valve on the inlet pressure side
- + Safety pressure gauges acc. to DIN-EN-ISO 5171: 2010

Technical Data

Type	single-stage
Inlet pressure P	max. 300 bar
Outlet pressure P	max. 10 / 20 / 35 bar Oxygen: max. 30 bar

Materials	
Body:	Brass
Bonnet:	Aluminium, coated
Diaphragm regulator:	NBR
Valve seat regulator:	PA 11
Filter process gas valve:	Sintered bronze
Filter regulator:	Nickel
Mounting plates:	Stainless steel

Pressure Control Panels BT2000



- + Wall-mounting pressure control panels
- + For non-corrosive industrial gases
- + Ergonomically designed
- + Modular design (to be extended to 2, 3 etc. cylinders)
- + Filter at the process gas inlet valve
- + Central filter in the regulator
- + Regulator with high control accuracy
- + Shut-off-valves with On/Off position indicators

Technical Data

Type	single-stage
Inlet pressure P_1	max. 300 bar
Outlet pressure P_2 for 2L-models:	max. 10/20/50/100 bar 8-12 bar / 17-23 bar / 46-54 bar / 95-105 bar

Materials

Bodies:	Brass
Diaphragm (P up to 20 bar):	EPDM
Piston (P > 20 bar):	Brass
Valve seat regulator:	PA
Mounting plate:	Stainless steel
Filter process gas valve:	Sintered bronze
Filter regulator:	Sintered SS 316L

ET 65



- + Tapping points for wall mounting
- + For non-corrosive industrial gases
- + For flows up to 50 m³/h
- + Single-stage pressure regulator with high accuracy
- + Central filter in the pressure regulator
- + Safety pressure gauge acc. to DIN EN ISO 5171
- + Inlet pressure shut off with ball valve
- + For easy installation

Technical Data

Type	single-stage
Inlet pressure P_1 for acetylene:	max. 40 bar max. 1.5 bar
Outlet pressure P_2 for P = 40 bar: for P = 1.5 bar (acetylene):	1.5 / 2.5 / 10 / 20 bar 1.5 bar

Materials

Bodies:	Brass
Diaphragm:	EPDM
Valve cone:	PA

Cylinder Pressure Regulator FE53



- + Double-stage stainless steel cylinder pressure regulator with extremely stable outlet pressure and anti-vibration device
- + For corrosive, toxic gases and gas mixtures with corrosive components up to quality 6.0
- + 6 ports for flexible and individual configuration
- + New laboratory-style design
- + Central filter
- + Suitable for ECD-applications

Technical Data

Type	double-stage
Inlet pressure P_1	max. 300 bar
Outlet pressure P_2	1,5 / 4 / 10 / 20 bar

Materials

Body regulator, relief valve:	SS 316L (SS 1.4404)
Valve seat:	PVDF
Diaphragm:	Hastelloy C276
Filter:	Sintered SS 316L

Pressure gauge	Safety pressure gauges ISO5171/KI1.6/NG50
----------------	----------------------------------------------

Weight	1.8 kg
--------	--------

Line Pressure Regulator LT2000



- + Ergonomically designed line pressure regulator
- + For non-corrosive technical gases
- + Single-stage type with high control accuracy
- + Central filter in the regulator
- + Safety pressure gauges acc. to DIN EN ISO 5171
- + Compact design
- + Models for inlet pressure up to 300 bar available

Technical Data

Type	single-stage
Inlet pressure P_1	max. 40/300 bar
Outlet pressure P_2	
for $P_1 \leq 40$ bar:	1.5/4/10 bar
for $P_1 > 40$ bar:	10/25/50/100/200 bar
Materials	
Body, bonnet:	Brass
Diaphragm regulator:	EPDM
Valve seat regulator:	PA

Filter F11 + F25



- + Brass - filter for separating dirt particles such as rust, sand, or chips carried along in gas piping
- + For non-corrosive technical gases
- + Protection against wear and damages of the downstream equipment
- + Easy change of the filter cartridges

Technical Data

Type	single-stage
Flow rate Q^*	F 11: max. 18000 Nm ³ /h F 25: max. 24000 Nm ³ /h
Operating pressure P	F 11: max. 300 bar F 25: max. 200 bar
Pore diameter (F 11)	40-45 μ m
Mesh size (F 25)	0.068 mm
Filter area	F 11: 29 cm ² F 25: 62 cm ²
Materials	
Body:	brass
Filter cartridge:	F 10: sintered bronze F 25: tin bronze

High Pressure Hoses



Technical Data

DESCRIPTION	O ₂ /Ar/CO ₂ /ACM	HYDROGEN	HELIUM	ACETYLENE
Inner Tube	PTFE Extruded Teflon	ETFE Extruded Tube		Thermoplastic Elastomer
Outer Cover	Double Wire Braiding of SS 304			Double Wire Braiding of HT Steel with Polyurethane Cover
Working Pressure	300 Bar			20 Bar
Hydrostatic Test Pressure	450 Bar			150 Bar
Pneumatic Test Pressure	330 Bar			100 Bar
Hydrostatic Min Bursting Pressure	900 Bar			105
Conformance To	EN ISO 14113			EN ISO 14113

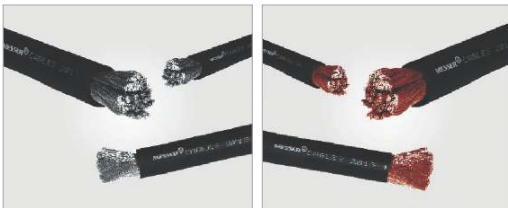
STARLIGHT SERIES
INDUSTRIAL ACCESSORIES



PRODUCT

Welding Cables

IS: 9857 / 1990



- + Heat and Oil Resistant & Fire Retardant
- + Working temperature HOFR-90°C
- + Heavy duty in current
- + Saves 40% operating cost
- + Light in weight
- + Long life

Working Temperature HOFR - 90°C

	Nominal Cross Sectional Area of Conductor	Number / Nom. Dia of Wires	Thickness of Insulation (Nominal)	Current Rating (AMP.) At Following Duty Cycle HOFR Compound		
				100%	60%	30%
COPPER	mm ²	mm	mm			
	16	510 / 0.2	2.0	135	174	246
	25	796 / 0.2	2.0	177	228	343
	35	1114 / 0.2	2.0	221	285	403
	50	707 / 0.3	2.2	279	360	509
	70	990 / 0.3	2.4	352	454	643
95	1344 / 0.3	2.6	424	547	774	
ALUMINUM	mm ²	mm	mm			
	35	495 / 0.3	2.0	176	227	321
	50	707 / 0.3	2.2	222	287	405
	70	990 / 0.3	2.4	280	361	511
	95	1344 / 0.3	2.6	339	438	619
	120	1697 / 0.3	2.8	404	522	738

Electrode Holders

CE EN-60974-11



- + Glass filled polyamide unbreakable handle.
- + Fully brass body.
- + Multiple angle electrode holding jaw design.
- + Long lasting replaceable fibre glass tip.
- + Fully insulated metal lever.
- + Spring cover for enhanced safety.
- + Cable hole connection.

Electrode Holder	Rating	Product Code	Current at DC		Electrode Size
			35%	60%	
Special 400	400 Amp	80821102N	400 Amp	300 Amp	5.0 mm
Special 600	600 Amp	80821103N	600 Amp	350 Amp	6.3 mm



- + Strong heat resistant DMC handle.
- + Multiple angle electrode holding jaw design.
- + Long lasting replaceable fibre glass tip.
- + Fully insulated metal lever.
- + Spring cover for enhanced safety.
- + Easy cable connection without lug.
- + Suitable for construction industry.

Electrode Holder	Rating	Product Code	Current at DC		Electrode Size
			35%	60%	
Standard 600	600 Amp	80821101N	500 Amp	400 Amp	6.3 mm



- + Fully insulated new generation safe welding electrode holder.
- + Electric shock protection, passed with 12mm metal sphere test.
- + Strong heat resistance DMC handle.
- + Straight 1800 and multiple electrode jaw holding.

Electrode Holder	Rating	Product Code	Current at DC		Electrode Size
			35%	60%	
Safe 400	600 Amp	80830617	400 Amp	300 Amp	5.0 mm
Safe 600	600 Amp	80830616	600 Amp	400 Amp	6.3 mm

Earth Clamps

CE EN60974-13



- + Corrosion resistant galvanized steel body.
- + Heavy duty wire braided copper shunt.
- + High tension steel spring.
- + Conductive brass / steel jaws.
- + Also available with black surface insulation.

Earth Clamp	Product Code	Product Code (Insulated)	Current at DC	
			35%	60%
MCSEC400	80821251	80830587	300 Amp	250 Amp
MCSEC600	80821252	80830588	400 Amp	300 Amp

Cable Connectors

CE EN-60974-12



- + Safety from open cable connections.
- + High conduction brass body.
- + High insulation rubber grip.
- + Auto black allen screw.
- + Cable connection thru brass ferrule.
- + Euro connection.

Description	Product Code	Current at DC		Cable Size
		35%	60%	
Cable Connectors MCSCC500	80821201	500 Amp	400 Amp	70 mm ²
Cable Connectors MCSCC600	80821202	600 Amp	500 Amp	95 mm ²
Cable Lug Adaptor-Straight	80830313			
Cable Lug Adaptor-Angled	80830314			

Heavy Duty Welding Gloves

CE EN-388

- + Made of premium quality split leather for heavy duty Welding and material handling purpose.
- + Special Strength to working parts due to double leather Patch at palm with premium grade stitching.
- + Stitching are done with flame resistant Kevlar threads.
- + Comfortable to work and sweat absorber lining inside Gloves.
- + Hemming at the end of cuff to avoid itching.
- + Long life in comparison to other gloves.

Size	Item Code	Size	Item Code	Size	Item Code
12"	80820173	14"	80821303	16"	80830098



Welding PPE

- + Premium leather quality with Kevlar thread stitching
- + Apron with tool holder and two pockets
- + Enhanced safety for welder

Product Code	Description
80830720	Welding Apron With Two Pockets & Tool Carrier
80830721	Welding Leg Guard
80830722	Welding Shoulder Guard
80830723	Welding Arm Sleeve Guard



MIG / MAG (GMAW) Welding Torch

CE EN 60974-7

- + Ergonomic design - euro connection.
- + Heavy duty-air cooled.
- + 100% duty cycle.



Sr. No.	Part No.	Description	Current at Duty Cycle (Amp)			Wire Size (mm)
			35%	60%	100%	
1	80830506	MIG Torch-1503, 150A, 3 mtr	250	200	150	0.8
2	80830507	MIG Torch-2503, 250A, 3 mtr	350	300	250	1.0
3	80830508	MIG Torch-3603, 360A, 3 mtr	500	400	360	1.2
4	80830592	MIG Torch-4003, 400A, 3 mtr	500	450	400	1.6

Gouging Torch

CE EN 60974-7

- + Ergonomic design - euro connection.
- + Resistance to hot object.
- + Dielectric / Impact resistance.

Sr. No.	Product Code	Description	Cable Length	Current at DC-Amp		Electrode Dia
				35%	60%	
1	80830060	Air Gouging Torch 500-600A	1	600	500	3/8"
2	80830101	Air Gouging Torch 800-1000A	2	1000	800	3/8"
3	80830310	Air Gouging Torch 1000-1200A	3	1200	1000	1/2"



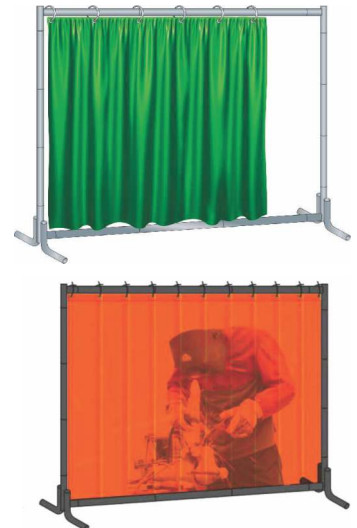
Welding Curtains

CE EN-25980-2014

Colour-Strip Curtains	Thickness	Non Foldable (Low Height)
Opaque Orange & Transparent Yellow	2mm	1800 x 1800, 2400 x 1800 & 3000 x 1800

Foldable (Full Height)	Foldable (Low Height)	Non Foldable (Full Height)	Non Foldable (Low Height)
1200 x 1800 mm	1200 x 1400 mm	1200 x 1800 mm	1200 x 1400 mm
1800 x 1800 mm	1800 x 1400 mm	1800 x 1800 mm	1800 x 1400 mm
2400 x 1800 mm	2400 x 1400 mm	2400 x 1800 mm	2400 x 1400 mm
3000 x 1800 mm	3000 x 1400 mm	3000 x 1800 mm	3000 x 1400 mm

- + Above mentioned sizes are of frames in which the welding curtains are fitted, therefore actual curtain size will be little less.
- + The welding curtains can be supplied with frames or without frames as per customer requirement.



Electrode Drying Oven

CE EN - 60974 - 1

- + Capacity: 5kg & 22kg.
- + 0 Max temp: 150° C.
- + Working voltage: 220V.
- + Electrode size: 457mm max.
- + Insulation: 25mm ceramic wool.
- + Body: Powder coated pre-galvanized sheet.

Sr. No.	Item Code	Description
1	80830061	Electrode Oven MEO-5DD, Digital Temp Control
2	80830590	Electrode Oven MEO-5AD, Analog Temp Control
3	80830510	Electrode Oven MEO-5F, 0 Fixed Temp, 150° C
4	80830261	Electrode Oven MEO-22AD with Wheels, Analog Control



Cylinder Trolley

- + Suitable for carrying 2 cylinders.
- + Solid big sized rubber wheels for longer life.
- + Supplied in knocked down condition.
- + Convenient to assemble / dis-assemble at site.
- + Easy to transport.
- + Option of 2-Wheeled and 3-Wheeled trolley.

Sr. No.	Item Code	Description
1	80830027	Twin-cylinder, 2-wheeled, knocked down
2	80830249	Twin-cylinder, 3-wheeled, knocked down
3	80830505	Single-cylinder, 2-wheeled, knocked down



Nozzle Cleaner

Sr. No.	Product Code	Description
1	80830096	Nozzle Cleaner



Spark Lighter

- + Multiple spark lighter for easy ignition.
- + 3-flint spark lighter with three re-positioning and replaceable flints.

Sr. No.	Product Code	Description
1	80830591	Spark Lighter - 3 Flints



Heavy Duty Weld Ready Kit

- + Ready to use kit for welding applications.
- + Metal box-easy to handle, transport & store.
- + Safety, quality and reliability.
- + No cluttered welding locations.



Description	Qty.
Electrode Holder 400 A	1 No.
Earth Clamp 400 A	1 No.
Copper Welding Cable 35 sq. mm 3 mtr.	1 No.
Copper Earth Cable 35 sq. mm 3 mtr.	1 No.
Cable Connector with Welding Cable Male	1 No.
Cable Connector with Earth Cable Male	1 No.
Chipping Hammer Wire Brush	1 No.
Welding Hand Screen	1 No.



CREATING SOLUTIONS BEYOND MACHINES

What we stand for

PRODUCT

Messer Cutting Systems is a global supplier of cutting edge technology for the metalworking industry.

AUTOMATION

With over 900 employees worldwide in over 50 countries, we maintain a constant dialogue with our customers to achieve sustainable user-oriented innovation.

DIGITAL

SERVICES

Our portfolio embraces the themes PRODUCT, DIGITAL, SERVICES, AUTOMATION and KNOW-HOW. We will live up to our claim "creating solutions beyond machines" not just with the most modern cutting systems and solutions for oxyfuel technology.

KNOW-HOW

Appropriate services and training, our own software applications as well as the integration of solutions from our technology partners, e. g. in the field of automation, complete the machine to give forward-looking total solutions.

Our know-how combined with our customer-oriented attitude and actions have made us the worldwide partner of choice for innovative total solutions on all aspects of cutting systems for over 120 years.

©Messer Cutting Systems India Pvt. Ltd. 2022

The descriptions, technical data and illustrations contained in this document are provided for guidance purposes only and are non-binding. The manufacturer reserves the right to make alterations to products without notice.

Imported & Marketed By,

Messer Cutting Systems India Pvt. Ltd.

No 199/2AB2, 198/2A2A & 198/2A2B
SNMV College Road, Malumichampatti,
Coimbatore - 641 050, Tamil Nadu, India

Tel : +91 422 6725501

Mail : sales.all@messer-cutting.com

Messer Cutting Systems GmbH

Otto-Hahn-Straße 2-4
64823 Groß-Umstadt
Germany

IG39A0105A23

www.messer-cutting.com

