

**MULTITHERM<sup>PRO</sup>**  
ENHANCED PRODUCTIVITY  
INDUSTRY 4.0 READY



# MULTITHERM<sup>PRO</sup>

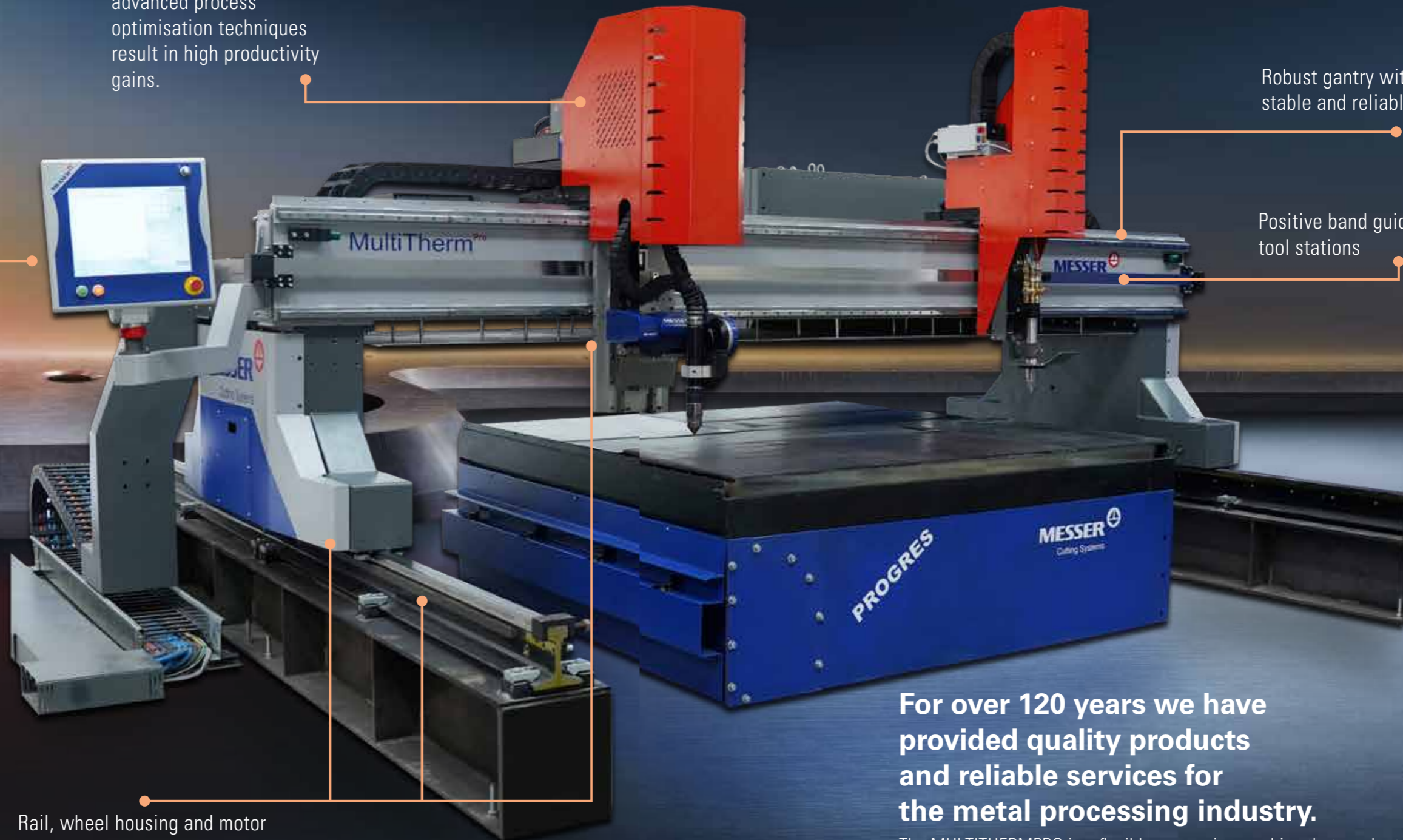
ENHANCED PRODUCTIVITY  
INDUSTRY 4.0 READY

The user-friendly control Global Control speeds set-up and reduces errors and non-productive times.

High-speed lifters and advanced process optimisation techniques result in high productivity gains.

Robust gantry with LM guides ensures stable and reliable cutting

Positive band guide positioning up to 6 tool stations



Rail, wheel housing and motor system "Higher productivity with 24m/min positioning speed with 0.04g acceleration"

**For over 120 years we have provided quality products and reliable services for the metal processing industry.**

The MULTITHERMPRO is a flexible processing machine that can be tailored to fit your unique application. A variety of different sizes and tools can be packaged with powerful software to provide maximum productivity and unmatched performance. The MULTITHERMPRO seamlessly integrates with multiple material handling systems to complete your metal processing solution.



PROCESS OPTIONS

**Oxyfuel - MS932**

The MS932 torch patented quick-change system enables cutting nozzles and heating cap released manually without tools.

Higher nozzle life.

Unitary heating cap for all fuel gases.

Maintenance free torch considerably reduces downtime and operating cost.

PROCESS OPTIONS

**Oxyfuel – ALFA**

For over 120 years, Messer Cutting Systems has provided and developed leading-edge technology for oxyfuel cutting machines which deliver high-quality cuts, reliable service, and considerable savings to the cutting process.

Oxyfuel cutting is the most economical method to produce high-quality parts from mild steel and low alloy steel. The ALFA torch contributes to low operating costs by reducing setup and process monitoring labor. Remote ignition eliminates manual strikers, consumables can be changed without tools, height sensing quickly positions all torches at the optimum cut height to substantially reduce pierce time, and the integrated sensing system allows the torch to cut right to the edge of the plate without fear, thus increasing plate utilization.

PROCESS OPTIONS

**Plasma**

Several advancements in plasma technology over the last few years allow for precision cutting of mild steel, stainless steel and aluminum. Most recent development has been focused on improved hole cutting and longer consumable life, providing fewer secondary operations and lower operating costs.

The best plasma system to fit your application will include collision protection and will be mounted on one of our high-speed lifters. Along with other process optimising features, we can provide higher productivity with all industry standard plasma systems.


BEVEL OPTIONS

**Bevel-R**

The relatively compact size of this robotic style bevel unit provides excellent results for most weld preparation applications without sacrificing vertical cut quality in everyday use.

Contour beveling is done via five synchronised axes that allow for standard bevel profiles on most parts. Repeatability is maintained via an automatic software calibration routine to align the bevel head over the life of the machine.

Patented collision protection and unlimited torch lead rotation provide high reliability in day-to-day operations.

PRECISION CUTTING OF FERROUS MATERIAL 


- + Maximum thickness up to 300 mm for carbon steel

HIGH QUALITY RESULTS IN MILD STEEL AND LOW ALLOYS 

- + Reduce time and labor with multiple torches
- + Insensitive to dirt and environmental influences
- + Quick change of nozzles reduces non-productive time

PRECISION CUTTING OF FERROUS AND NON-FERROUS

- + Maximum thickness up to 150 mm (non-ferrous material)

MOST APPLICATIONS REQUIRING STANDARD WELD PREPARATION PROFILES 

- + +/- 45° bevel angles
- + I, V, Y, X and K weld profiles
- + Interpolation of the bevel angle (change-on-the-fly while cutting)

YOUR DIGITAL WORKFLOW

# PRODUCTION DIGITISATION



OMNIWIN

## Ideal for work preparation

OmniWin is a powerful, easy to use designing and nesting software that saves time, material and costs. It is the ideal tool for work preparation in oxyfuel, plasma and laser cutting with CNC machines, taking over all cutting tasks for order-based production.

The software is both effective and economical - for small productions as well as for just-in-time manufacturing with changing quantities in custom cutting operations.

Our solutions ensure maximum transparency in operations management, production planning and control.



OMNIBEVEL

## The tool for bevel cutting

OmniBevel is the software for dimensionally accurate parts and the leading product for bevel cutting. The post-processor module with a graphical, easy to use interface delivers optimal cutting results.

It stands for straight cuts, cylindrical holes, exact bevel angles and enormous flexibility. Almost all possible technology parameters and operation details are adjustable.

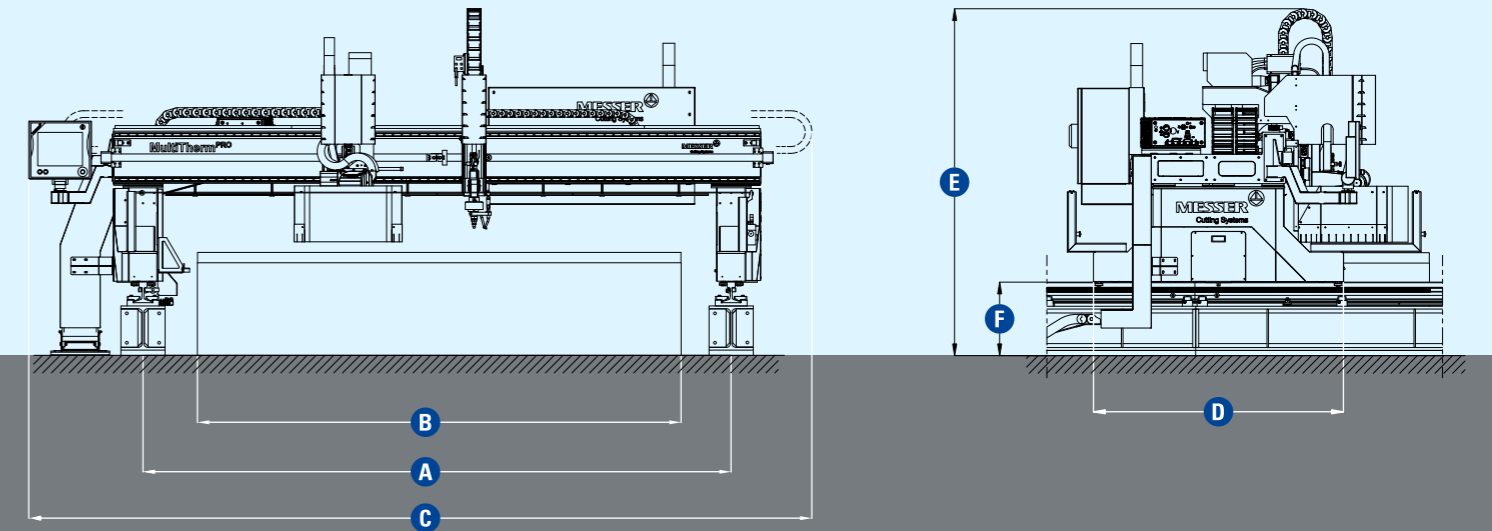


OMNIFAB

## Software suite for digital transformation

OmniFab is the software suite that integrates Messer Cutting Systems' mechanical engineering technology into commercial processes in a holistic and process-oriented manner.

It provides relevant information for work preparation, production planning and plant management by connecting all systems. OmniFab also integrates material handling systems like loading/unloading stations, towers, material transportation devices and more — even on mobile devices.



### Machine Dimensions

A Track gauge	3100	3600	4000	5000	6000
B Working width*	2000	2500	3000	4000	5000
C Overall width**	4430	4930	5330	6330	7330
D Length	1700	1700	1700	1700	1700
E Height**	2360	2360	2360	2360	2360
F Track height**	500	500	500	500	500

(all dimensions in mm)

Note: Other sizes on request (within 6m track gauge)

\* Working widths apply for machines equipped with vertical torch units and with one tool per plate. When equipped with multiple tools, the working width is reduced accordingly.

\*\* The total overall dimensions depend upon equipment fitted and may vary from the above figures.

## Standard Features

- Positioning speed 24 m/min & acceleration 0.04G helps to reduce cycle time.
- Digital servo AC drives with precision gear boxes in X & Y axis.
- Robust beam with LM guides to ensure superior cut quality.
- Compact in design and fully concealed cables & hoses.
- Automatic gas regulation system — Eliminates manual intervention for setting the gas flow.
- Symmetric wheel housing design & parking space for unused torches increases the cutting width.
- Reliable height control for longer nozzle life and high-quality cuts.
- Messer hole technology (True hole for Hypertherm cases) for accurate inner

## Optional Features

- Gas cutting with manual gas distribution system or advanced automated gas regulation system (Omniflow)
- Two plasma straight cutting stations (Max)
- Plasma Bevel unit Bevel-R
- Manual bevels for Plasma/Oxyfuel
- Manual triple bevel for Oxyfuel
- Pipe cutting attachment for round pipes and square tubes
- Programming and nesting software OmniWin
- IOT software OmniFab
- Laser pointer for plate alignment
- Progres+ cutting table



# CREATING SOLUTIONS BEYOND MACHINES

## What we stand for

Messer Cutting Systems is a global supplier of cutting edge technology for the metalworking industry.

With over 900 employees worldwide in over 50 countries, we maintain a constant dialogue with our customers to achieve sustainable user-oriented innovation.

Our portfolio embraces the themes PRODUCT, DIGITAL, SERVICES, AUTOMATION and KNOW-HOW. We will live up to our claim "creating solutions beyond machines" not just with the most modern cutting systems and solutions for oxyfuel technology.

Appropriate services and training, our own software applications as well as the integration of solutions from our technology partners, e. g. in the field of automation, complete the machine to give forward-looking total solutions.

Our know-how combined with our customer-oriented attitude and actions have made us the worldwide partner of choice for innovative total solutions on all aspects of cutting systems for over 120 years.

PRODUCT

AUTOMATION

DIGITAL

SERVICES

KNOW-HOW

©Messer Cutting Systems India Pvt. Ltd. 2023

The descriptions, technical data and illustrations contained in this document are provided for guidance purposes only and are non-binding.

The manufacturer reserves the right to make alterations to products without notice.

## Messer Cutting Systems India Private Limited

No 199/2AB2, 198/2A2A & 198/2A2B  
SNMV College road, Malumichampatti,  
Coimbatore - 641050  
Tamil Nadu, India

Tel. +91 422 6725501  
Mail: sales.all@messer-cutting.com

[www.messer-cutting.com](http://www.messer-cutting.com)



IM13A000C24