

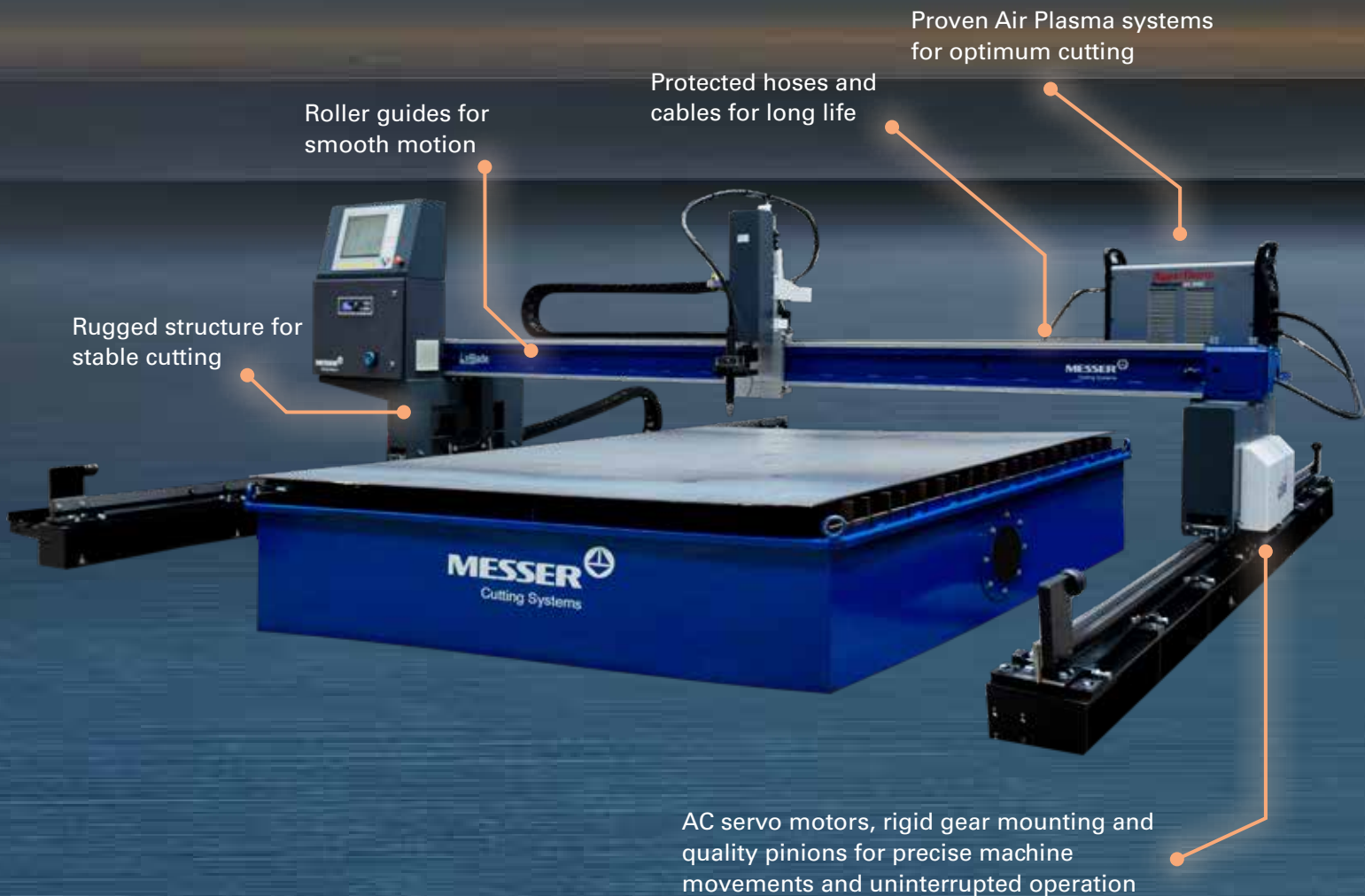
AIRBLADE

QUALITY WITH AFFORDABILITY

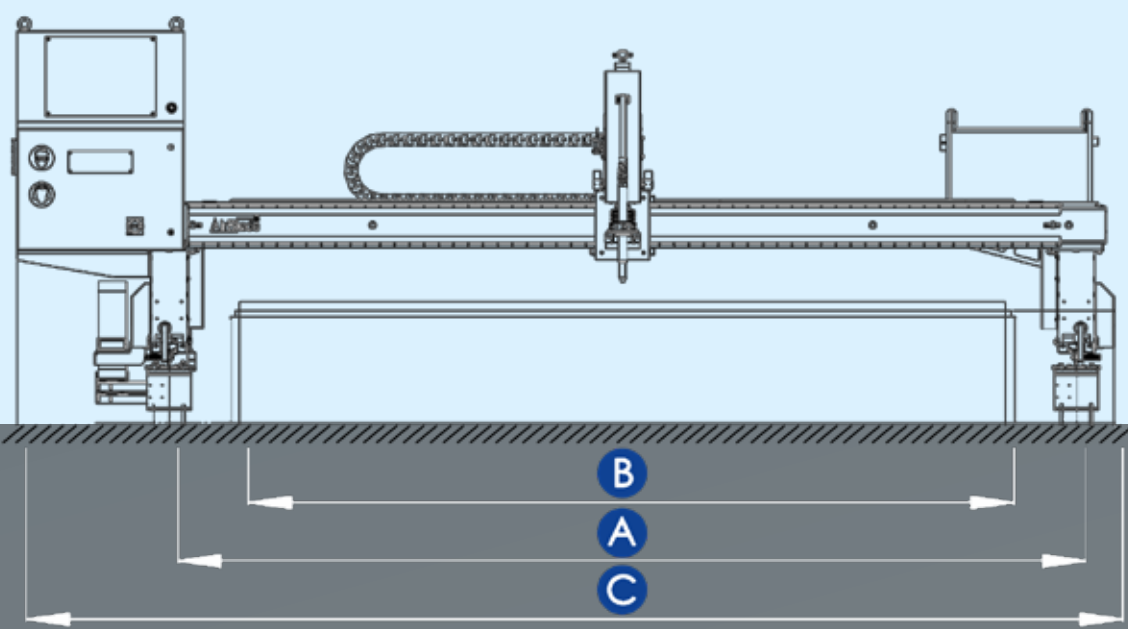


AIRBLADE

ENTRY LEVEL MACHINE
THIN TO MEDIUM PLATE CUTTING



Track gauge	3300mm/3700mm
Cutting width	2600mm/3000mm
Cutting length	Max 15mtr
Positioning speed	12m/min



Track Gauge (A)	3300mm	3700mm
Working width (B)	2600mm	3000mm
Total width (C)	4075mm	4475mm



Roller guides provides smooth & precise motion



AC servo motors and quality pinions for precise machine movements and uninterrupted operation.



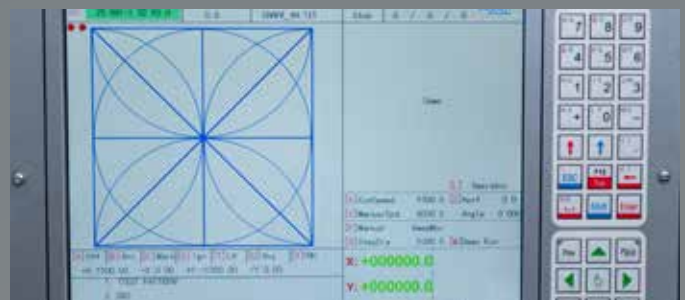
Collision recognition with magnetic torch holder for plasma reduces risk of torch damage



Laser pointer allows the operator to quickly capture the location or angle of the plate.



Machined Guide Rails as per ISO 7465 makes installation and alignment very easy. Rails are perfectly straight with fine surface finish enabling smooth movement



User friendly, Simple, easy and stable operation
Compact keyboard with easy interface



CREATING SOLUTIONS BEYOND MACHINES

What we stand for

PRODUCT

Messer Cutting Systems is a global supplier of cutting edge technology for the metalworking industry.

AUTOMATION

With over 900 employees worldwide in over 50 countries, we maintain a constant dialogue with our customers to achieve sustainable user-oriented innovation.

DIGITAL

SERVICES

Our portfolio embraces the themes PRODUCT, DIGITAL, SERVICES, AUTOMATION and KNOW-HOW. We will live up to our claim "creating solutions beyond machines" not just with the most modern cutting systems and solutions for oxyfuel technology.

KNOW-HOW

Appropriate services and training, our own software applications as well as the integration of solutions from our technology partners, e. g. in the field of automation, complete the machine to give forward-looking total solutions.

Our know-how combined with our customer-oriented attitude and actions have made us the worldwide partner of choice for innovative total solutions on all aspects of cutting systems for over 120 years.

© Messer Cutting Systems India Pvt. Ltd. 2022

The descriptions, technical data and illustrations contained in this document are provided for guidance purposes only and are non-binding.

The manufacturer reserves the right to make alterations to products without notice.

Messer Cutting Systems India Private Limited

WNo 199/2AB2, 198/2A2A & 198/2A2B
SNMV College Road, Malumichampatti,
Coimbatore - 641 050,
Tamil Nadu, India

Tel : +91 422 6725501

Mail : sales.all@messer-cutting.com

messer-cutting.com

THE MESSER
EXPERIENCE