

# STEEL MILL EQUIPMENT MESSER CUTTING SYSTEMS



# Contents

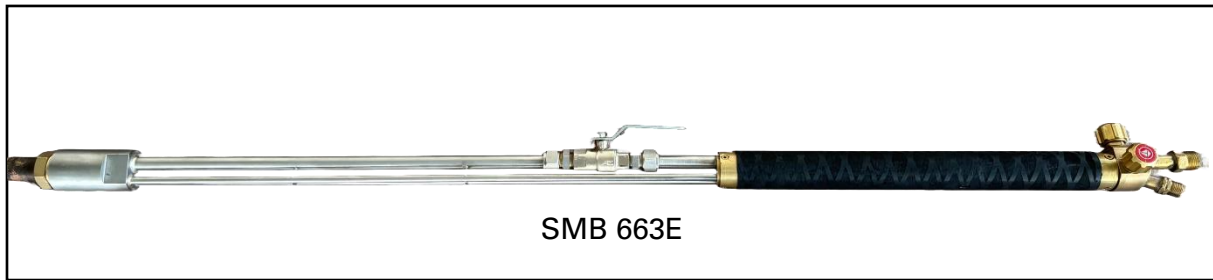
<b>SMB 663E</b>	Heavy duty hand cutting torch	Page 1
<b>SMB 663</b>	Heavy duty hand cutting torch	Page 2
<b>SMB 663 / SMB 663E</b>	Nozzles	Page 4
<b>SMB 663 / SMB 663E</b>	Cutting data	Page 6
<b>SMB 663 / SMB 663E</b>	Accessoires	Page 8
<b>AC 41</b>	Powder hand cutting torch	Page 9
<b>AC 41</b>	Nozzles	Page 10
<b>AC 41</b>	Cutting data	Page 12
<b>P75</b>	Powder distributor	Page 13
<b>MSP 3320</b>	Powder machine cutting torch	Page 15
<b>MSP 3320</b>	Nozzles	Page 16
<b>PRESTOCUT F655</b>	Heavy duty machine cutting torch	Page 17
<b>PRESTOCUT F655</b>	Nozzles	Page 19
<b>PRESTOCUT M651</b>	Heavy duty machine cutting torch	Page 21
<b>PRESTOCUT M651</b>	Nozzles	Page 23
<b>FB / FBK</b>	Hand scarfing torch	Page 24
<b>FB / FBK</b>	Nozzles	Page 25
<b>FB / FBK</b>	Cutting data	Page 26
<b>Oxygen lance</b>		Page 27
<b>U13</b>	Pressure regulator	Page 29
<b>PSE</b>	Personal safety equipment	Page 31

Date: 04/2024



# SMB 663

## HEAVY DUTY HAND CUTTING TORCHES



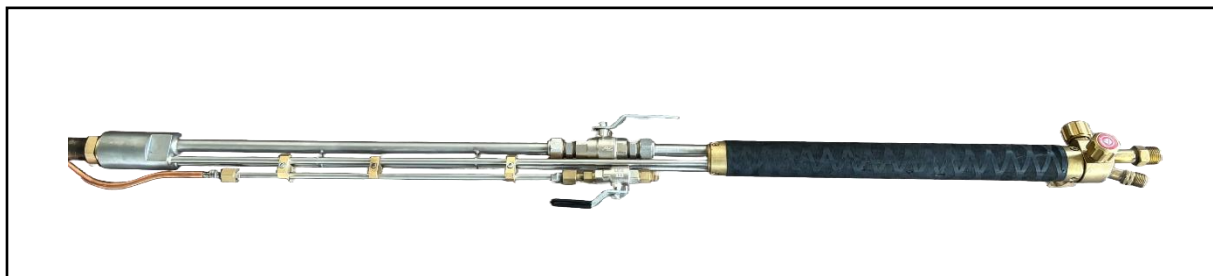
### HEAVY DUTY HAND CUTTING TORCH SMB 663E

with ball valve for cutting oxygen, for cutting slabs, ingots, billets, non-alloy and low-alloy steel castings and forgings, and for cutting steel scrap, for cutting range check the part about nozzles.

Hose connections according to EN 560, G1/2" RH-11 for oxygen and G3/8" LH-9 for fuel gas.

Heavy-duty hand cutting torch				SMB 663E
Description			Art. No.	Cat. No.
SMB 663E	length 1200 mm	Head 180°	716.14300	006

### ADDITIONAL POWDER ATTACHMENT for SMB 663E



Powder equipment				SMB 663E
Description			Art. No.	Cat. No.
SMB 663E + powder attachment	length 1200 mm	Head 180°	716.14302	006
Powder attachment without SMB 663E			716.14301	006

Date: 04/2024

# SMB 663

## HEAVY DUTY HAND CUTTING TORCHES



SMB 663 with angled torch head



SMB 663 with straight torch head

### HEAVY DUTY HAND CUTTING TORCH SMB 663

with spring lever for cutting oxygen (version with hand wheel valve available upon request), for cutting of slabs, ingots, billets, non-alloy and low-alloy steel castings and forgings, and for cutting steel scrap. for cutting range check the part about nozzles.

Hose connections according to EN 560, G1/2" RH-11 for oxygen and G3/8" LH-9 for fuel gas.

<b>SMB 663</b>		Heavy-duty hand cutting torch without accessories		
Description			Art. No.	Cat. No.
Version with angled torch head	length 1260 mm	Head 105°	716.50265	006
	length 1500 mm	Head 105°	716.50319	006
	length 3000 mm	Head 90°	716.14050 *	006
	length 4000 mm	Head 90°	716.14051 *	006
Version with straight torch head	length 1260 mm	Head 180°	716.50277	006
	length 1500 mm	Head 180°	716.50320	006
other torch lengths available upon request				
* Available upon request				

Date: 04/2024

# SMB 663

## HEAVY DUTY HAND CUTTING TORCHES

### ADDITIONAL POWDER EQUIPMENT FOR SMB 663



SMB 663 with powder attachment and powder hose



Torch head with powder-attachment

Additional powder equipment		SMB 663	
Description	Art. No.	Cat. No.	
Powder equipment complete incl. powder nozzle and ball valve for torch length 1260 mm and torch head angle 105° (SMB 663 only)	716.14145*	006	
Powder equipment complete incl. powder nozzle and ball valve for torch length 2500 mm and torch head angle 105° (SMB 663 only)	71650339*	006	
Standard cutting nozzles are used			
Powder distributor P75 (see page 13) Inlet pressure 10 bar max., Container pressure 1.0 bar max., Powder charge 75 kg max. *Available upon request	731.29840		

Heavy-Duty Hand-Cutting-Torch SMB 663 completely with powder equipment		SMB 663	
Description	Art.-No.	Cat.-No.	
SMB 663 PZFD torch length 1260 mm with angled torch head and powder equipment	716.14186 *	006	
SMB 663 PZFD torch length 1260 mm with straight torch head and powder equipment	716.14188 *	006	
SMB 663 PZFD torch length 1500 mm with angled torch head and powder equipment	716.14187 *	006	
SMB 663 PZFD torch length 1500 mm with straight torch head and powder equipment	716.14189 *	006	
SMB 663 PZFD torch length 2500 mm with angled torch head and powder equipment	716.14196 *	006	

\* Available upon request

Date: 04/2024

# SMB 663 / SMB 663E

## CUTTING DATA

### Cutting charts for DPC-A and DBH-PMY

#### DPC-A / DBH-PMY

#### Gas mixing cutting nozzles



Description	Cutting range	Art. No.	Cat. No.
DPC-A	50 - 300 mm	731.07433	006
	300 - 600 mm	731.07434	006
DBH-PMY	100 - 300 mm	731.17353	006
	300 - 500 mm	731.17315	006
	500 - 700 mm	731.17317	006

Useable with SMB 663 and SMB 663E  
 DPC-A for fuel gas acetylene  
 DBH-PMY for fuel gas propane, methane, MAPP

#### CUTTING NOZZLES DPC-A

Cutting thickness [mm]	Cutting nozzle	Art. No.	Nozzle clearance [mm]	Oxygen pressure [bar]	Acetylene pressure [bar]	Cutting kerf width [mm]	Oxygen consumption [m³/h]	Acetylene consumption [m³/h]
Fuel gas acetylene								
50			20	6,0	0,5	5 - 7	36,0	3,0
100				7,5		5 - 7	43,0	3,0
150	50-300	731.07433	to	8,0	to	6 - 7	46,0	3,5
200				8,5		7 - 8	48,0	4,0
250				9,0		8 - 9	51,0	4,0
300			25	9,5	1,0	9 - 10	54,0	4,0
300			25	8,5	0,8	12	65,0	5,0
350				9,5		14	73,0	5,0
400	300-600	731.07434	to	10,5	to	17	80,0	5,0
450				11,5		18	85,0	6,0
600			30	12,0	1,2	19	90,0	6,0

Date: 04/2024

# SMB 663 / SMB 663E

## NOZZLES

CUTTING NOZZLES DBH-PMY								
Cutting thickness [mm]	Cutting nozzle	Art. No.	Nozzle clearance [mm]	Oxygen pressure [bar]	Propane pressure [bar]	Cutting kerf width [mm]	Oxygen consumption [m³/h]	Propane consumption [m³/h]
Fuel gas propane								
100			30	2,5	0,6	6	16,3	0,3
150			30	5,0	0,6	7	25,3	0,7
200	100-300	731.17353	30	7,0	0,6	8	34,0	1,0
250			30	8,5	0,6	9	42,6	1,3
300			30	10,5	0,6	10	51,7	1,7
300			30	6,5	1,1	13	60,4	1,7
350			30	8,0	1,1	14	71,8	2,3
400	300-500	731.17315	30	9,0	1,1	17	83,3	2,9
450			30	10,5	1,1	19	95,0	3,6
500			30	12,0	1,1	21	107,2	4,4
500			50	9,5	1,6	21	113,0	4,4
550			50	10,5	1,6	23	126,5	4,9
600	500-700	731.17317	50	12,0	1,6	25	141,0	5,4
650			50	13,5	1,6	27	154,7	6,3
700			50	15,0	1,6	28	168,7	7,4

CUTTING NOZZLES DBH-PMY								
Cutting thickness [mm]	Cutting nozzle	Art. No.	Nozzle clearance [mm]	Oxygen pressure [bar]	Methane pressure [bar]	Cutting kerf width [mm]	Oxygen consumption [m³/h]	Methane consumption [m³/h]
Fuel gas methane (natural gas)								
100			30	2,5	0,8	6	16,5	0,9
150			30	5,0	0,8	7	25,6	1,9
200	100-300	731.17353	30	7,0	0,8	8	34,3	2,7
250			30	8,5	0,8	9	43,0	3,4
300			30	10,5	0,8	10	52,2	4,5
300			30	6,5	1,4	13	61,0	4,5
350			30	8,0	1,4	14	72,5	5,9
400	300-500	731.17315	30	9,0	1,4	17	84,1	7,6
450			30	10,5	1,4	19	96,0	9,4
500			30	12,0	1,4	21	108,3	11,4
500			50	9,5	2,0	21	114,1	11,4
550	500-700	731.17317	50	10,5	2,0	23	127,8	12,7
600			50	12,0	2,0	25	142,4	14,0
650			50	13,5	2,0	27	156,2	16,4
700			50	15,0	2,0	28	170,4	19,0

Date: 04/2024



# SMB 663 / SMB 663E

## CUTTING DATA

### Cutting values for heavy duty hand torch SMB 663 / SMB 663E with Fe powder

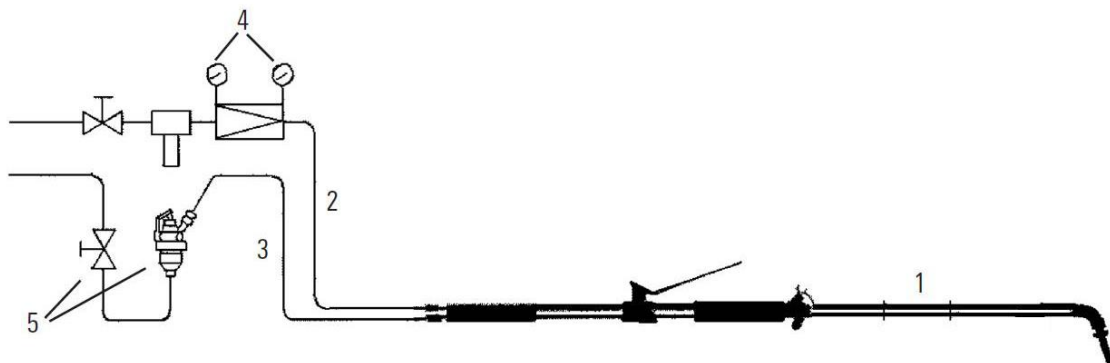
Oxygen purity:	min. 99,5%
Test material:	Stainless steel CrNi 18/8 N
Fuel gas:	Propane
Torch adjustment:	according to operating data for DBH-PMY (page 5)
Used powder:	GRISINT® (Part. No.: 0462004)
Cutting speed tolerance:	approx.. 20%
Cut quality:	Oxyfuel hand cuts with Fe-powder depend heavily upon the skill of the operator. Without mechanical guidance only scrap quality can be achieved.
Note:	All data and especially the low wear with powder nozzles and valves can only be achieved when using the iron powder GRISINT® in combination with powder distributor P75, as well as original MCS-parts.

#### SMB 663 / SMB 663E

#### Cutting values

Material thickness [mm]	Used nozzle	Cutting speed [mm/min]	Powder consumption [kg/h]
50	731.17353	400	6 - 7
100	731.17353	350	7 - 8
150	731.17353	300	8 - 10
200	731.17353	280	10 - 12
250	731.17353	210	10 - 12
300	731.17353	170	12 - 15
350 - 500	731.17315	120 - 60	20 - 25
500 - 700	731.17317	60 - 30	25 - 30

Date: 04/2024



- 1 = Hand cutting torch SMB 663    2 = Oxygen hose    3 = Fuel gas hose  
 4. = Oxygen regulator U13    5 = Tapping point + Flashback arrestor    6 = Safety device O

# SMB 663 / SMB 663E

## CUTTING DATA

### Recommended equipment for SMB 663 / SMB 663E for safe operation

Pressure regulator oxygen:	U13 with 20bar backpressure supplied by bundle or tank
Safety device oxygen:	SIMAX 3
Pressure regulator fuel gas:	ET65 (depening of gas) or U11 F (Propane)
Safety device fuel gas:	DG91N
Oxygen hose:	DN 11 G1/2"RH (optional metal braided)
Fuel gas hose:	DN 9 G3/8"LH (optional metal braided)

### Optional equipment for operating SMB 663 / SMB 663E with powder

The SMB 663 / SMB 663E is already available with a powder device. Otherwise you have to order an additional powder attachment.

Powder pot:	P75
Powder:	GRISINT®
Pressure regulator compressed air:	CONSTANT with 10bar back pressure
Comp. air hose between tapping point and P75:	DN6 G1/4"RH
Powder hose between P75 and torch:	DN6 G1/4"RH

### Recommended gas supply for safe operation (in combination with oxygen)

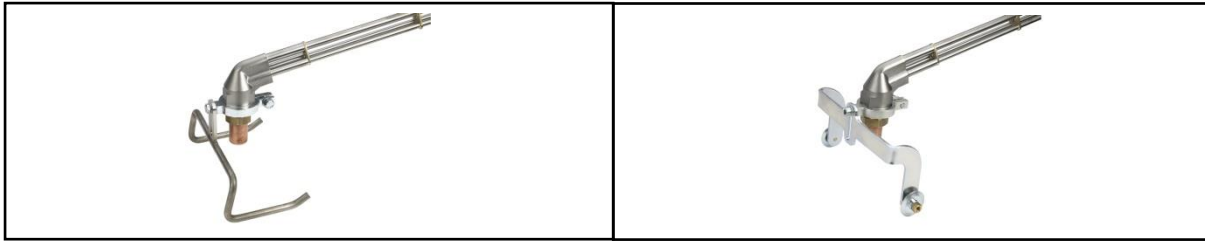
Gas supply acetylene		SMB 663
Cutting range	Short operation until 20 minutes.	Permanently operation > 20 minutes
Up to 100 mm	3 Cylinders	6 Cylinders
Up to 200 mm	4 Cylinders	Bundle
Up to 300 mm	4 Cylinders	Bundle
Up to 400 mm	5 Cylinders	Bundle
Up to 500 mm	6 Cylinders	Bundle

Gas supply Propane		SMB 663
Cutting range	Short operation until 20 minutes.	Permanently operation > 20 minutes
Up to 100 mm	1 Cylinder	1 Cylinder
Up to 200 mm	1 Cylinder	2 Cylinders
Up to 300 mm	2 Cylinders	3 Cylinders
Up to 400 mm	2 Cylinders	4 Cylinders
Up to 500 mm	3 Cylinders	6 Cylinders
Up to 600 mm	4 Cylinders	Tank
Up to 700 mm	5 Cylinders	Tank

# SMB 663 / SMB 663E

ACCESSOIRES



Torch head with skids

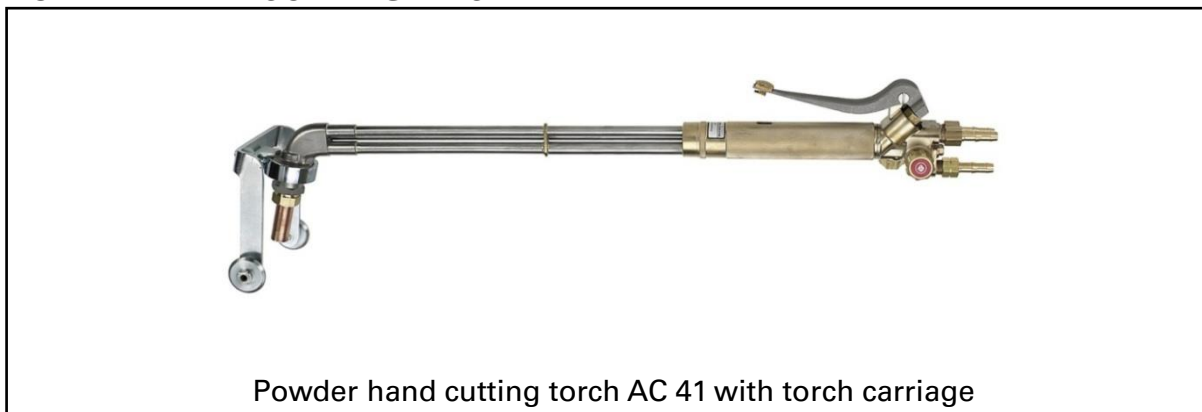
Torch head with carriage

<b>SMB 663</b>	Accessories	
<i>Description</i>	<i>Art. No.</i>	<i>Cat. No.</i>
Torch carriage (for SMB 663 / SMB 663E)	716.50260	006
Skid (for SMB 663 / SMB 663E)	716.50275	006
Pressure screw M36X1,5 (for SMB 663 / SMB 663E)	552.10220	006
Nozzle cleaners in case	052.29201	038
Oxygen hose 11 mm (for SMB 663 / SMB 663E)	051.01200 *	043
Fuel gas hose 9 mm (for SMB 663 / SMB 663E)	051.00040	043
Hand wheel valve insert (for SMB 663)	716.50307 *	043

Date: 04/2024

# AC 41

## POWDER HAND CUTTING MACHINE



### Powder hand cutting torch AC 41

With spring lever valve for simultaneous control of oxygen and powder, for cutting of heat resistant stainless steel and high carbon steels up to 300mm, and for non-ferrous materials and cast irons up to 150mm material thickness.

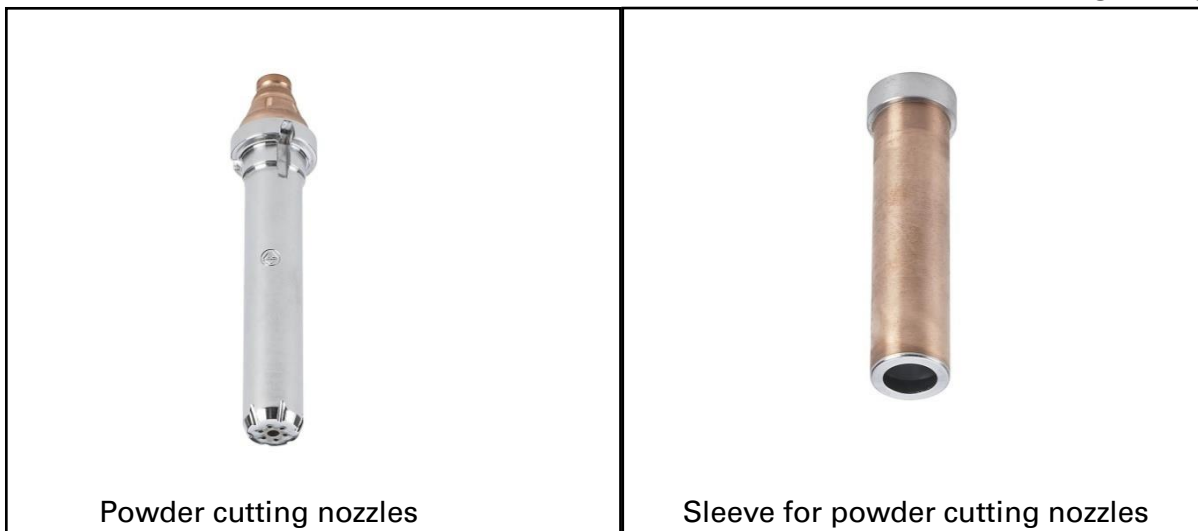
Fuel gas: acetylene or propane, methane, coal gas, MAPP

Hose connections: acc. DIN EN 560 G3/8"RH-9 for oxygen, G3/8"LH-9 for fuel gas, G1/4"RH-6 for powder.

Powder hand cutting torch AC 41 without accessories			AC 41	
Description			Art. No.	Cat. No.
AC 41 A/PMY	torch length	750 mm	716.01055	006
	torch length	1050 mm	716.01070	006

Accessories			AC 41	
Description			Art. No.	Cat. No.
Radius bar complete			716.00699	038
Nozzle cleaners in case			052.29201	038
Rubber ring for sealing of powder cutting nozzle for AC 41			162.05430	006
Torch spanner			186.58074	038
Oxygen hose	DN9 / without connections / sold by the meter		051.01060	043
Fuel gas hose	DN9 / without connections / sold by the meter		051.00040	043
Compressed air hose	DN6 / with connections G1/4"RH / 10 m		770.20491	043
Powder hose	DN6 / with connections G1/4"RH / 10 m		770.20490	043
Powder distributor P75	Inlet pressure 10 bar max., Container pressure 1.0 bar max., Powder charge 75 kg max.		731.29840	006

# AC 41 NOZZLES



AC 41		Powder cutting nozzles	
Description	Cutting range	Art. No.	Cat. No.
Powder cutting nozzle for acetylene	25 - 40 mm	716.00382	006
	40 - 60 mm	716.00383	006
	60 - 100 mm	716.00384	006
	100 - 200 mm	716.00385	006
	200 - 300 mm	716.00386	006
Powder cutting nozzle for propane, methane (natural gas), Coal gas, MAPP	125 - 175 mm	552.01050	006
	175 - 225 mm	552.01060	006
	225 - 300 mm	552.01090	006
Sleeve for Powder cutting nozzle		703.04032	006

Date: 04/2024

# AC 41

## NOZZLES

### OPERATING DATA FOR POWDER CUTTING NOZZLES

POWDER HAND CUTTING TORCH AC 41									
Material thickness [mm]	Art. No. Cutting-nozzle	Nozzle clearance [mm]	Oxygen pressure [bar]	Fuel gas pressure [bar]	Cutting kef width [mm]	Oxygen consump. [m <sup>3</sup> /h]	Fuel gas consump [m <sup>3</sup> /h]	Cutting speed [mm/min]	Powder consump. [kg/h]
Fuel gas acteylene									
25 - 40	716.0038 2	30 - 40	4,0	0,5	6,0	9,7	0,8	320 - 230	6 - 8
40 - 60	716.0038 3	30 - 40	4,0	0,5	8,0	14,3	1,0	190 - 140	8 - 10
60 - 100	716.0038 4	30 - 40	4,0	0,5	9,0	21,6	1,2	120 - 100	8 - 10
100 - 200	716.0038 5	30 - 40	5,0	0,5	12,0	31,0	1,4	80 - 70	10 - 12
200 - 300	716.0038 6	30 - 40	6,0	0,5	17,0	42,0	1,8	60 - 40	12 - 15

POWDER HAND CUTTING TORCH AC 41									
Material thickness [mm]	Art. No. Cutting nozzle	Nozzle clearance [mm]	Oxygen pressure [bar]	Fuel gas pressure [bar]	Cutting kef width [mm]	Oxygen consump. [m <sup>3</sup> /h]	Fuel gas consump [m <sup>3</sup> /h]	Cutting speed [mm/min]	Powder consump. [kg/h]
Fuel gas propane									
125 - 175	552.0105 0	30 - 40	4,0	0,3	9,0	21,0	0,5	120 - 100	8 - 10
175 - 225	552.0106 0	30 - 40	5,5	0,3	12,0	31,0	0,6	80 - 70	10 - 12
225 - 300	552.0109 0	30 - 40	6,0	0,3	17,0	46,0	0,7	60 - 40	12 - 15

POWDER HAND CUTTING TORCH AC 41									
Material thickness [mm]	Art. No. Cutting nozzle	Nozzle clearance [mm]	Oxygen pressure [bar]	Fuel gas pressure [bar]	Cutting kef width [mm]	Oxygen consump. [m <sup>3</sup> /h]	Fuel gas consump [m <sup>3</sup> /h]	Cutting speed [mm/min]	Powder consump. [kg/h]
Fuel gas methane (natural gas)									
125 - 175	552.01050	30 - 40	4,0	0,3	9,0	21,0	1,5	120 - 100	8 - 10
175 - 225	552.01060	30 - 40	5,5	0,3	12,0	31,0	1,7	80 - 70	10 - 12
225 - 300	552.01090	30 - 40	6,0	0,3	17,0	46,0	2,0	60 - 40	12 - 15

The tables indicate standard values based on the use of plain steel with a carbon content of up to 0.3 % and oxygen with a minimum purity of 99.5 % and by use of GRISINT® Iron-powder. The allowable particle size in the oxygen is 30 µm maximum. The pressure stated are gauge pressure measured at the torch inlet.

!Only use clean and undamaged nozzles!

### Recommended equipment for AC 41 for safe operation

Pressure regulator oxygen:	U13 with 10 Bar backpressure supplied by bundle or tank
Safety-device oxygen:	Demax 5
Pressure regulator fuel gas:	Constant (depending on type of fuel gas) or.ET65
Safety-device fuel gas:	DG 91 N
Oxygen-hose:	DN 9 G3/8" RH (optional metal braided)
Fuel gas-hose:	DN 9 G3/8" LH (optional metal braided)

### Equipment for operating with powder

The AC 41 already contains a powder device as standard.

Powder device:	P75
Powder:	GRISINT®
Pressure regulator compressed air:	CONSTANT with 10 Bar backpressure
Comp. Air hose between tapping point and P75:	DN 6 G1/4"RH (optional metal braided)
Comp. Air hose between P75 and torch:	DN 6 G1/4"RH (optional metal braided)

### Recommended gas supply for safe operation (in combination with oxygen)

AC 41		Gas supply acetylene	
Cutting range	Short operation until 20 minutes.	Permanently operation > 20 minutes	
Up to 40 mm	1 Cylinder	2 Cylinders	
Up to 60 mm	2 Cylinders	2 Cylinders	
Up to 100 mm	2 Cylinders	3 Cylinders	
Up to 200 mm	2 Cylinders	3 Cylinders	
Up to 300 mm	2 Cylinders	4 Cylinders	
AC 41		Gas supply Propane	
Cutting range	Short operation until 20 minutes.	Permanently operation > 20 minutes	
Up to 175 mm	1 Cylinder	1 Cylinder	
Up to 225 mm	1 Cylinder	1 Cylinder	
Up to 300 mm	1 Cylinder	1 Cylinder	

Date: 04/2024

# P75

## POWDER DISTRIBUTOR

### Powder distributor P75

Powder distributors serve to feed iron powder or iron/aluminum powder mixtures to the powder cutting/scarfing oxygen stream, allowing increased heat resistant steels, cast iron and a number of non-ferrous metal to be cut.

The powder distributor P75 with the Cyclone powder mixing system, pressure regulator, oil trap and air drying unit are used to supply SMB 663 / SMB 663E with powder attachments, the AC 41 powder hand cutting torches and the MSP 3320 powder machine cutting torches.

#### Connections:

Inlet: G1/4" RH-6 for compressed air

Outlet: G1/4" RH-6 for powder

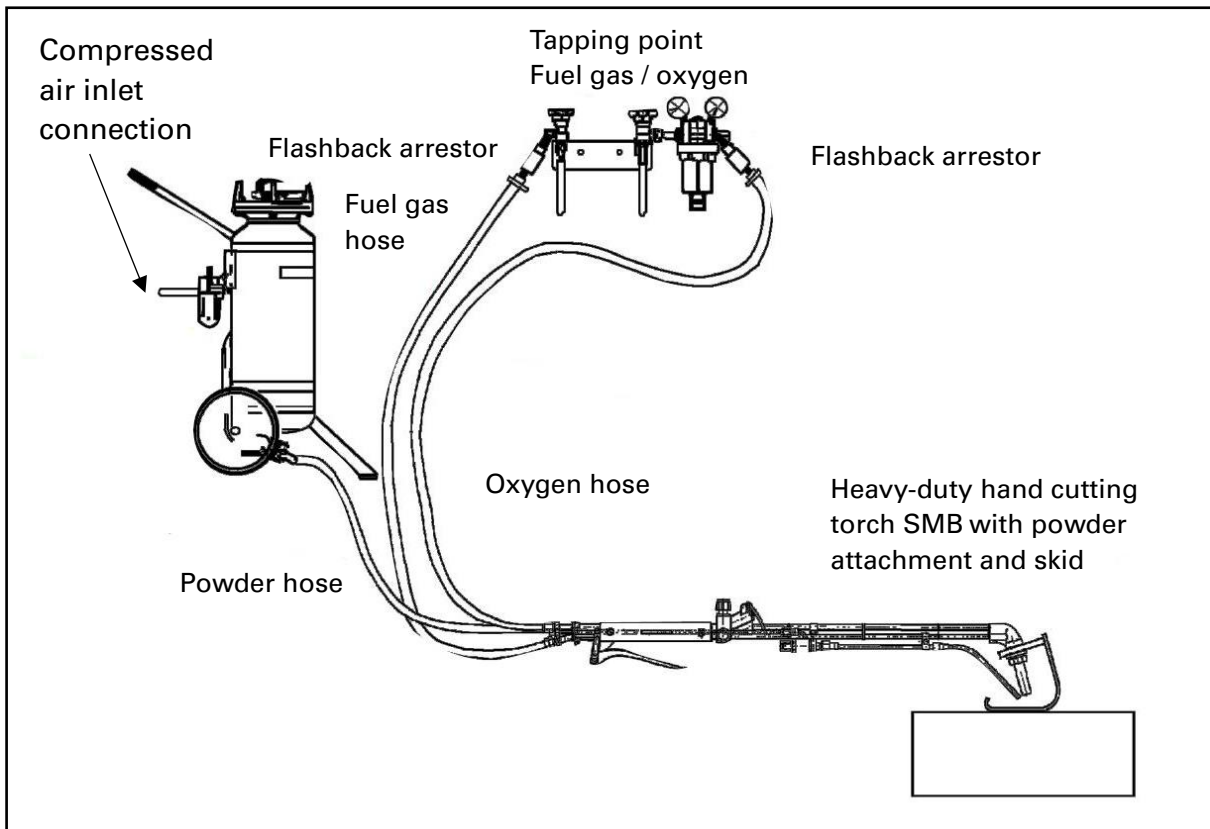


Powder distributor and Cutting powder		P75	
Description	Art. No.	Cat. No.	
Powder distributor Inlet pressure 10 bar max., Container pressure 1.0 bar max., Powder charge 75 kg max.	731.29840	006	
Cutting powder GRISINT® for use with powder cutting equipment, 25 kg package	0.462.004	013	
Compressed air hose DN6 / with connections G1/4"RH / 10 m	770.20491	043	
Powder hose DN6 / with connections G1/4"RH / 10 m	770.20490	043	

Date: 04/2024



# P75 POWDER DISTRIBUTOR



Date: 04/2024

# MSP 3320

## POWDER MACHINE CUTTING TORCH



### Powder machine cutting torch MSP 3320

For cutting of stainless steel, high carbon steels and non-ferrous materials from 25 up to 300mm and of cast iron from 25 up to 150mm material thickness.

#### Characteristics:

Shaft diameter: 32mm

Shaft length: 190mm

Connections (DIN EN 560): G1/2" RH for heating oxygen; G3/4" LH for fuel gas; G3/4" RH for cutting oxygen; G1/4" RH for powder

Cutting range: 50 – 300mm

Powder machine cutting torch		MSP 3320	
Description		Art. No.	Cat. No.
MSP 3320/190	Shaft length 190 mm	716.51510 *	006

Accessories		MSP 3320	
Description	Connection	Art. No.	Cat. No.
Adjusting valve for heating oxygen	G 1/4" RH-6	718.00500	005
Adjusting valve for cutting oxygen	G 3/8"-6	718.00501	005
Adjusting valve for Fuel gas	G 3/8" LH-6	718.00502	005
Powder shut-off valve	G 1/4" RH-6	716.51375	004
Flashback arrestor Heating oxygen	G 1/4"	0.647.583	041
Flashback arrestor Cutting oxygen	G 3/8"	0.647.584	041
Flashback arrestor Fuel gas	G 3/8" LH	0.346.364	041

Date: 04/2024

# MSP 3320

## NOZZLES



Powder cutting nozzle

Sleeve for powder cutting nozzle

MSP 3320		Powder cutting nozzles	
Description	Cutting range	Art. No.	Cat. No.
Powder cutting nozzles for acetylene	25 - 40 mm	716.00382	006
	40 - 60 mm	716.00383	006
	60 - 100 mm	716.00384	006
	100 - 200 mm	716.00385	006
	200 - 300 mm	716.00386	006
Powder cutting nozzles for propane, methane (natural gas), Coal gas, MAPP	125 - 175 mm	552.01050	006
	175 - 225 mm	552.01060	006
	225 - 300 mm	552.01090	006
Sleeve for powder cutting nozzle		703.04032	006

POWDER MACHINE CUTTING TORCH MSP 3320										
Material-thickness [mm]	Art. No. cutting nozzle	Heating oxygen pressure [bar]	Cutting oxygen pressure [bar]	Fuel gas [bar]	Nozzle clearance [mm]	Cutting speed [mm/min]	Kerf width [mm]	Oxygen consum [m³/h]	Fuel gas consum [m³/h]	Powder consum [kg/h]
Fuel gas acetylene										
25 - 40	716.00382	0,5	4,0	0,5	30 - 40	320-230	6,0	10,7	1,0	6 - 8
40 - 60	716.00383	0,6	4,0	0,5	30 - 40	190-140	8,0	13,8	1,2	8 - 10
60 - 100	716.00384	0,7	4,8	0,5	30 - 40	120-100	9,0	20,1	1,4	8 - 10
100 - 200	716.00385	1,0	5,5	0,5	30 - 40	80-70	12,0	28,4	1,6	10 - 12
200 - 300	716.00386	1,3	6,0	0,5	30 - 40	60-40	17,0	41,2	1,8	10 - 12
Fuel gas propane										
125 - 175	552.01050	4,5	4,7	0,5	30 - 40	120-100	9,0	20,1	0,5	8 - 10
175 - 225	552.01060	5,5	5,5	0,5	30 - 40	80-70	12,0	28,4	0,6	10 - 12
225 - 300	552.01090	6,0	6,0	0,5	30 - 40	60-40	17,0	41,2	0,7	10 - 12
Fuel gas methane (natural gas)										
125 - 175	552.01050	5,0	4,7	0,5	30 - 40	120-100	9,0	21,5	1,5	8 - 10
175 - 225	552.01060	6,0	5,5	0,5	30 - 40	80-70	12,0	31,0	1,7	10 - 12
225 - 300	552.01090	6,5	6,0	0,5	30 - 40	60-40	17,0	44,0	2,0	10 - 12

The tables indicate standard values based on the use of plain steel with a carbon content of up to 0.3 % and oxygen with a minimum purity of 99.5 % and by use of GRISINT® Iron-powder. The allowable particle size in the oxygen is 30 µm maximum. The pressure stated are gauge pressure measured at the torch inlet. The consumption data indicated in m³/h apply to the standard condition as per DIN 1343.

Date: 04/2024

# PRESTOCUT F655

## HEAVY DUTY MACHINE CUTTING TORCH



### PRESTOCUT F655

Water-cooled Heavy-Duty Machine Cutting Torch, for cold cuts and hot cuts of non-alloyed material (with powder attachment) with workpiece thickness of 50 to 500 mm

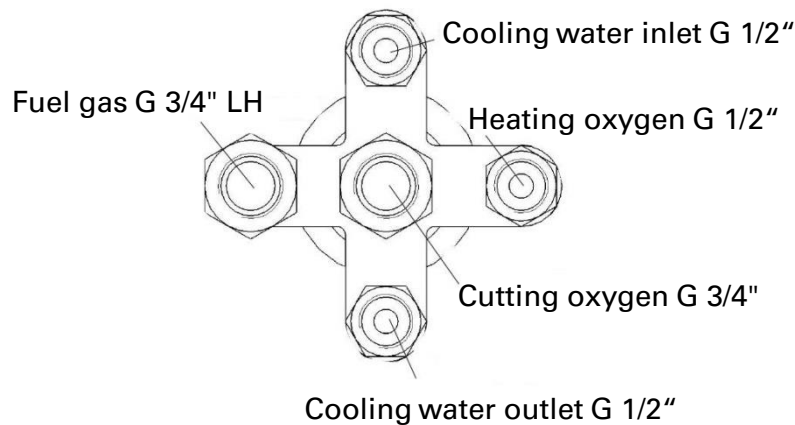
Models:

- F 655 with shaft length 500 mm

Characteristics:

- High cutting speed through special design
- Economical media consumption through low Oxygen metal factor
- Long life through large nozzle stand-off
- "Flying" start of cut thanks to high heat input
- Highly economical thanks to narrow cut width
- Long life through easy maintenance
- Flexible use, both on hot and cold materials
- Robust design appropriate for the steel industry
- Solid hose connection block and torch head made of brass
- Torch shaft made of brass or stainless steel
- Complete water cooled including torch head
- Torch length 500mm
- Shaft diameter 50 mm
- Cutting range 50 - 600 mm

Connections:



# PRESTOCUT F655

## HEAVY DUTY MACHINE CUTTING TORCH

### PRESTOCUT® F655

Heavy duty machine cutting torches with brass shaft



<i>Description</i>	<i>Shaft length</i>	<i>Art.-No.</i>	<i>Cat.-No.</i>
PRESTOCUT® F 655	500 mm	716.51939	006

Shaft diameter: 50 mm / Cutting range up to 500 mm

**Shaft out of brass**

### PRESTOCUT® F 655

Heavy duty machine cutting torches with stainless steel shaft



<i>Description</i>	<i>Shaft length</i>	<i>Art.-No.</i>	<i>Cat.-No.</i>
PRESTOCUT® F 655	500 mm	716.51937	006

Shaft diameter: 50 mm / Cutting range up to 500 mm

**Shaft out of stainless steel**

Date: 04/2024

# PRESTOCUT F655

## HEAVY DUTY MACHINE CUTTING TORCH

Heavy duty outer gas mixing nozzle

**PRESTOCUT®**  
**DF-PM**

Description	Cutting range	Art.-No.	Cat.-No.
DF 18-PM	50 – 300 mm	716.14064	006
DF 26-PM	50 – 400 mm	716.14065	006
DF 33-PM	50 – 500 mm	716.14066	006
DF 36-PM	50 – 500 mm	716.14061	006



Heavy duty outer gas-mixing nozzle / flat sealing

PRESTOCUT® DF -PM									
Cutting nozzle	Material thickness [mm]	Heating oxygen [bar]	Cutting oxygen [bar]	Fuel gas [bar]	Nozzle clearance [mm]	Cutting speed [mm/min]	Cutting kerf [mm]	Oxygen consumption [m³/h]	Fuel gas consumption [m³/h]
Fuel gas Propane									
DF 18-PM	50	2,0 – 3,0	18	0,5 – 0,8	120	590	5 – 7	50	10
	– 300		– 20		– 150	– 160			
DF 26-PM	50	2,0 – 3,0	14	0,5 – 0,8	120	590	7 – 10	50	10
	– 400		– 16		– 150	– 80			
DF 33-PM	50	2,0 – 3,0	12	0,5 – 0,8	120	590	7 – 12	62	10
	– 500		– 14		– 150	– 40			
DF 36-PM	50	2,0 – 3,0	10	0,5 – 0,8	120	590	7 – 12	62	10
	– 500		– 11		– 150	– 40			
Fuel gas Methane (Town gas)									
DF 18-PM	50	2,0 – 3,0	18	1,4 – 2,2	120	590	5 – 7	50	27
	– 300		– 20		– 150	– 160			
DF 26-PM	50	2,0 – 3,0	14	1,4 – 2,2	120	590	7 – 10	50	29
	– 400		– 16		– 150	– 80			
DF 33-PM	50	2,0 – 3,0	12	1,4 – 2,2	120	590	7 – 12	62	29
	– 500		– 14		– 150	– 40			
DF 36-PM	50	2,0 – 3,0	10	1,4 – 2,2	120	590	7 – 12	62	29
	– 500		– 11		– 150	– 40			

The table indicate standard values based on the use of plain steel with a carbon content of up to 0,3% and oxygen with a minimum purity of 99,5%. The allowable particle size in the oxygen is 30 µm maximum. The pressures stated are gauge pressure measured at the torch inlet.

Satisfactory cuts on clean and crack-free work pieces can be achieved with undamaged nozzles and suitable flame cutting machines. The given cutting speeds are valid for old material and are to increase depending upon the work-piece temperature by hot cuts. The consumption data indicate in m³/h applies to the standard condition as per DIN 1343.

Date: 04/2024

# PRESTOCUT F655

## NOZZLE

### PRESTOCUT® DFP-PM

Heavy duty gas-mixing nozzle inner- / outer mixing / flat sealing



Description	Cutting range	Art.-No.	Cat.-No.
DFP 18-PM	50 – 300 mm	716.51940	006
DFP 26-PM	50 – 400 mm	716.51941	006
DFP 33-PM	50 – 500 mm	716.51942	006
DFP 36-PM	50 – 500 mm	716.51943	006

Heavy duty gas-mixing nozzle inner- / outer mixing / flat sealing

### PRESTOCUT® DFP -PM

Cutting nozzle	Material thickness [mm]	Heating oxygen [bar]	Cutting oxygen [bar]	Fuel gas [bar]	Nozzle clearance [mm]	Cutting speed [mm/min]	Cutting kerf [mm]	Oxygen consumption [m³/h]	Fuel gas consumption [m³/h]
Fuel gas Propane									
DFP 18-PM	50	1,5 – 1,8	18	0,5	120	590	5 – 7	40	2 – 4
	300		20		150				
DFP 26-PM	50	1,5 – 1,8	14	0,5	120	590	7 – 10	52	2 – 5
	400		16		150				
DFP 33-PM	50	1,5 – 1,8	12	0,5	120	590	7 – 12	52	2 – 6
	500		14		150				
DFP 36-PM	50	1,5 – 1,8	10	0,5	120	590	7 – 12	52	2 – 6
	500		11		150				
Fuel gas Methane (Town gas)									
DFP 18-PM	50	1,5 – 1,8	18	1,1	120	590	5 – 7	40	6 – 10
	300		20		150				
DFP 26-PM	50	1,5 – 1,8	14	1,1	120	590	7 – 10	52	6 – 12
	400		16		150				
DFP 33-PM	50	1,5 – 1,8	12	1,1	120	590	7 – 12	52	6 – 16
	500		14		150				
DFP 36-PM	50	1,5 – 1,8	10	1,1	120	590	7 – 12	52	6 – 16
	500		11		150				

The table indicate standard values based on the use of plain steel with a carbon content of up to 0,3% and oxygen with a minimum purity of 99,5%. The allowable particle size in the oxygen is 30 µm maximum. The pressures stated are gauge pressure measured at the torch inlet.

Satisfactory cuts on clean and crack-free work pieces can be achieved with undamaged nozzles and suitable flame cutting machines. The given cutting speeds are valid for old material and are to increase depending upon the work-piece temperature by hot cuts. The consumption data indicate in m³/h applies to the standard condition as per DIN 1343.

Date: 04/2024

# PRESTOCUT M651

## HEAVY DUTY MACHINE CUTTING TORCH

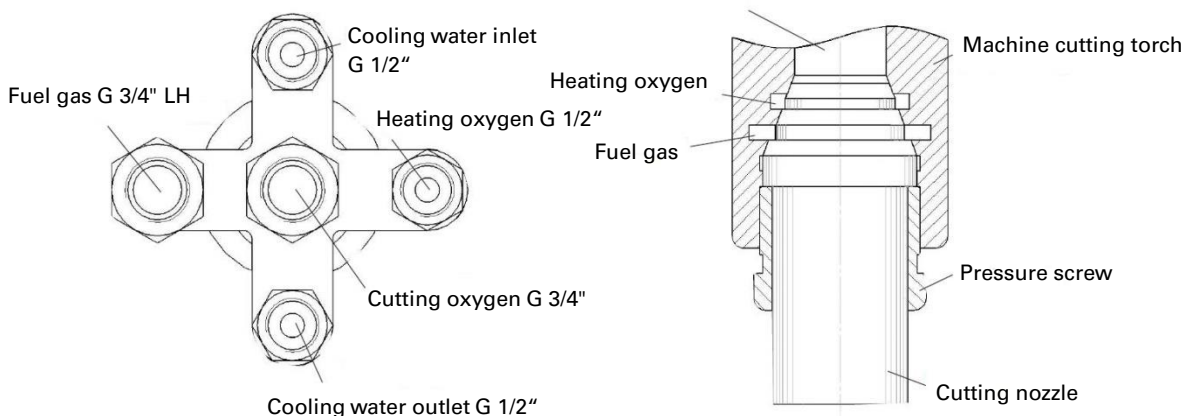


### PRESTOCUT® M 651

Water-cooled Heavy-Duty Machine Cutting Torch, for cold cuts and hot cuts of non-alloyed material (with powder attachment) with workpiece thickness of 50 to 600 mm

Characteristics:

- High cutting speed through special design
- Economical media consumption through low Oxygen metal factor
- Long life through large nozzle stand-off
- "Flying" start of cut thanks to high heat input
- High work reliability due to conical seal
- Highly economical thanks to narrow cut width
- Long life through easy maintenance
- Flexible use, both on hot and cold materials
- Suitable for all fuel gases (beside acetylene)
- Smooth surface with low edge melting
- Universal design for both nozzle mixing and external mixing heavy-duty cutting nozzles
- Robust design appropriate for the steel industry
- Solid hose connection block and torch head made of brass
- Torch shaft made of brass or stainless steel
- Complete water cooled including torch head
- Torch length 1000 mm and different length on request
- Shaft diameter 50 mm
- Quality guarantee through 100 % testing of both the torch and the nozzles
- End faces of the nozzles can be reworked up to 3 mm
- Cutting range 50 - 600 mm





# PRESTOCUT M651

## HEAVY DUTY MACHINE CUTTING TORCH

**PRESTOCUT® M 651**

Heavy duty cutting torch



Type	Art.-No.	Kat.-No.
PRESTOCUT® M 651 Length 1000 mm	731.30530 *	006

Different length available on request

**PRESTOCUT® DB-PM 318 / 618, PB 318 / 618**

Heavy duty cutting nozzles



Type	Schneidbereich	Art.-Nr.	Kat.-Nr.
DB 318-PM (internal mixing)	50 - 300 mm	731.26594	006
DB 618-PM (internal mixing)	300 - 600 mm	731.25507	006
PB 318-PM (external mixing)	50 - 300 mm	731.29417	006
PB 618-PM (external mixing)	300 - 600 mm	731.25508	006

### HEAVY DUTY CUTTING NOZZLE (GAS-MIXING) PRESTOCUT® DB 318-PM

Material thickness [mm]	Cutting nozzle	Heating oxygen [bar]	Cutting oxygen [bar]	Fuel gas [bar]	Nozzle clearance [mm]	Cutting speed [mm/min]	Cutting kerf [mm]	Oxygen consumption [m³/h]	Fuel gas consumption [m³/h]
Fuel gas Propane									
50	731.26594	1,0	10	≤ 0,3	130	360	6 - 7	60	4,5
100	731.26594	1,0	10	≤ 0,3	130	320	6 - 7	60	4,5
200	731.26594	1,0	10	≤ 0,3	130	200	6 - 7	60	4,5
300	731.26594	1,0	10	≤ 0,3	130	150	6 - 7	60	4,5
Fuel gas Methane (town gas)									
50	731.26594	1,0	10	0,3 - 0,5	130	360	6 - 7	62,5	17,0
100	731.26594	1,0	10	0,3 - 0,5	130	320	6 - 7	62,5	17,0
200	731.26594	1,0	10	0,3 - 0,5	130	200	6 - 7	62,5	17,0
300	731.26594	1,0	10	0,3 - 0,5	130	150	6 - 7	62,5	17,0

### HEAVY DUTY CUTTING NOZZLE (GAS-MIXING) PRESTOCUT® DB 618-PM

Material thickness [mm]	Cutting nozzle	Heating oxygen [bar]	Cutting oxygen [bar]	Fuel gas [bar]	Nozzle clearance [mm]	Cutting speed [mm/min]	Cutting kerf [mm]	Oxygen consumption [m³/h]	Fuel gas consumption [m³/h]
Fuel gas Propane									
300	731.25507	1,4	10	≤ 0,3	130	150	8 - 10	114	8,0
400	731.25507	1,4	10	≤ 0,3	130	110	8 - 10	114	8,0
500	731.25507	1,4	10	≤ 0,3	130	90	8 - 10	114	8,0
600	731.25507	1,4	10	≤ 0,3	130	60	8 - 10	114	8,0
Fuel gas Methane (Town gas)									
300	731.25507	1,8	10	0,7	130	150	8 - 10	116	23,0
400	731.25507	1,8	10	0,7	130	110	8 - 10	116	23,0
500	731.25507	1,8	10	0,7	130	90	8 - 10	116	23,0
600	731.25507	1,8	10	0,7	130	60	8 - 10	116	23,0

Date: 04/2024

# PRESTOCUT M651

## NOZZLES

<b>HEAVY DUTY CUTTING NOZZLE (GAS-MIXING) PRESTOCUT® PB 318-PM</b>									
Material thickness [mm]	Cutting nozzle	Heating oxygen [bar]	Cutting oxygen [bar]	Fuel gas [bar]	Nozzle clearance [mm]	Cutting speed [mm/min]	Cutting kerf [mm]	Oxygen consumption [m³/h]	Fuel gas consumption [m³/h]
<b>Fuel gas Propane</b>									
50	731.29417	0,2 - 0,5	10	0,08	130	360	6 - 7	55,0	3,8
100	731.29417	0,2 - 0,5	10	0,08	130	320	6 - 7	55,0	3,8
200	731.29417	0,2 - 0,5	10	0,08	130	200	6 - 7	55,0	3,8
300	731.29417	0,2 - 0,5	10	0,08	130	150	6 - 7	55,0	3,8
<b>Fuel gas Methane (Town gas)</b>									
50	731.29417	0,2	10	0,25	130	360	6 - 7	54,0	10,0
100	731.29417	0,2	10	0,25	130	320	6 - 7	54,0	10,0
200	731.29417	0,2	10	0,25	130	200	6 - 7	54,0	10,0
300	731.29417	0,2	10	0,25	130	150	6 - 7	54,0	10,0

<b>HEAVY DUTY CUTTING NOZZLE (GAS-MIXING) PRESTOCUT® PB 618-PM</b>									
Material thickness [mm]	Cutting nozzle	Heating oxygen [bar]	Cutting oxygen [bar]	Fuel gas [bar]	Nozzle clearance [mm]	Cutting speed [mm/min]	Cutting kerf [mm]	Oxygen consumption [m³/h]	Fuel gas consumption [m³/h]
<b>Fuel gas Propane</b>									
300	731.25508	0,2 - 0,5	10	0,2	130	150	8 - 10	105	6,0
400	731.25508	0,2 - 0,5	10	0,2	130	110	8 - 10	105	6,0
500	731.25508	0,2 - 0,5	10	0,2	130	90	8 - 10	105	6,0
600	731.25508	0,2 - 0,5	10	0,2	130	60	8 - 10	105	6,0
<b>Fuel gas Methane (Town gas)</b>									
300	731.25508	0,2	10	0,5	130	150	8 - 10	104	15,0
400	731.25508	0,2	10	0,5	130	110	8 - 10	104	15,0
500	731.25508	0,2	10	0,5	130	90	8 - 10	104	15,0
600	731.25508	0,2	10	0,5	130	60	8 - 10	104	15,0

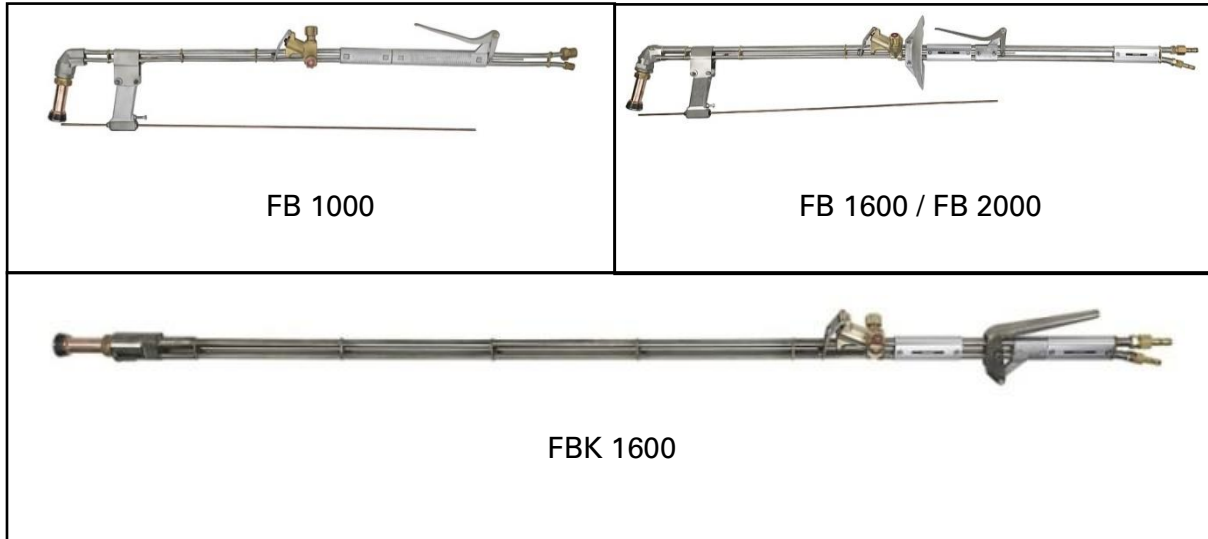
The table indicate standard values based on the use of plain steel with a carbon content of up to 0,3% and oxygen with a minimum purity of 99,5%. The allowable particle size in the oxygen is 30 µm maximum. The pressures stated are gauge pressure measured at the torch inlet.

Satisfactory cuts on clean and crack-free work pieces can be achieved with undamaged nozzles and suitable flame cutting machines. The given cutting speeds are valid for old material and are to increase depending upon the work-piece temperature by hot cuts. The consumption data indicate in m³/h applies to the standard condition as per DIN 1343.

Date: 04/2024

# FB / FBK

## HAND SCARFING TORCHES



### Scarfing torch FB 1000, FB 1600 and FB 2000 and Ingot mould scarfing torch FBK 1600

with spring lever for control of scarfing oxygen, on the FB the ignition wire feed is triggered simultaneously. The area of application is the correction of cracks, slag inclusions and defects in blocks, ingots slabs and castings of unalloyed and alloyed steels. The modelling of swrought work and the partial scarfing as well as the scarfing out of burnt, cracked material from the inner surfaces of ingots.

#### Characteristics:

- Scarfing width FB 1000 = 40 mm, FB 1600 + FBK 1600 = 90 mm
- Connections to DIN EN 560 (G 1/2" RH-11 for oxygen, G 3/8" LH-9 for fuel gas)
- Fuel gases acetylene (A), propane (P), methane (M) and coal gas

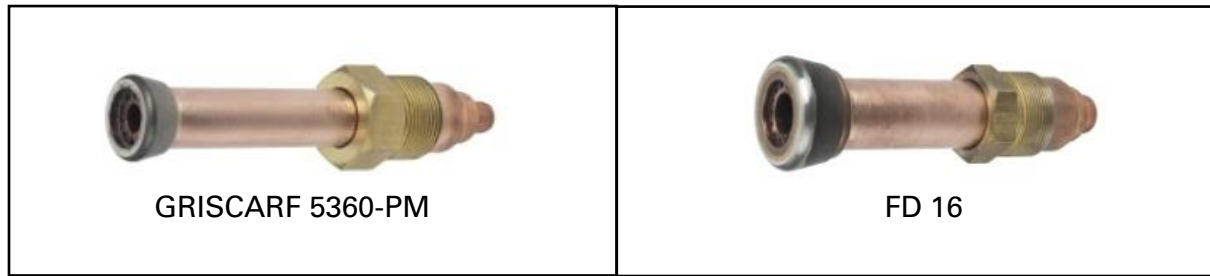
FB / FBK		Hand scarfing torch/ Ingot scarfing torch	
Description		Art.-No.	Cat.-No.
FB 1000	torch length 1260 mm	716.50051	006
FB 1600	torch length 1500 mm	716.50191	006
FB 1600	torch length 1325 mm	716.50192	006
FB 1600	torch length 1175 mm	716.50180	006
FB 2000	torch length 1500 mm	716.50195	006
FB 2000	torch length 1390 mm	716.50193	006
FBK 1600	torch length 1800 mm	716.50212	006

FB 1000 / FB 1600 / FBK 1600		Accessories	
Description		Art.-No.	Cat.-No.
Heat protective shield		716.50181	006
Nozzle cleaners in case		052.29201	038
Oxygen hose 11 mm		051.01200 *	043
Oxygen hose 13 mm		051.02940 *	043
Fuel gas hose 9 mm		051.00040	043
Propane hose		051.02130	043

Date: 04/2024

# FB / FBK

## NOZZLES

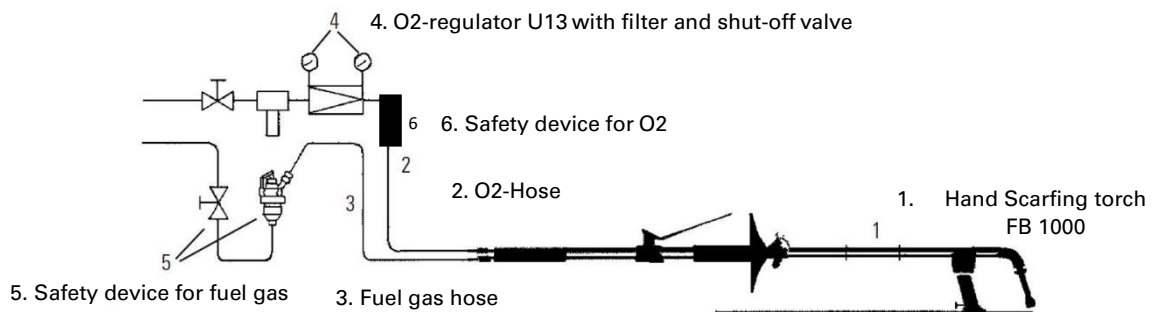


### Scarfing nozzles GRISCARF® 5310-A + 5360-PM / FD 16

Description	Scarfing width	Art.-No.	Kat.-No.
Scarfing nozzle GRISCARF® 5310-A for FB 1000	40 mm	716.50089	012
Scarfing nozzle GRISCARF® 5360-PM for FB 1000	40 mm	716.50088	012
Scarfing nozzle FD 16 for FB 1600 and FBK 1600 with wear-resistant stellite ring	90 mm	716.50232	012
Scarfing nozzle FD 20 for FB 2000 with wear-resistant stellite ring	110 mm	716.50231	012

### SCARFING NOZZLES GRISCARF® 5310 + 5360 / FD 16 / FD 20

Description	Art. No.	Oxygen pressure [bar]	Fuel gas pressure [bar]	Scarfing oxygen consumption [m³/h]	Scarfing speed [mm/min]	Heating oxygen consumption [m³/h]	Fuel gas consumption [m³/h]
Fuel gas Acetylene							
GRISCARF® 5310-A	716.50089	4,0 - 5,0	0,5	70 - 80	8 - 10	3,0	2,3
Fuel gas Propane							
GRISCARF® 5360-PM	716.50088	4,0 - 5,0	0,5	70 - 80	8 - 10	5,0	1,3
FD 16	716.50232	2,5 - 3,5	0,3	150 - 190	8 - 10	6,0	1,7
FD 20	716.50231	4,0 - 5,0	0,5	250 - 320	8 - 10	8,0	2,3
Fuel gas Methane (Natural gas)							
GRISCARF® 5360-PM	716.50088	4,0 - 5,0	0,5	70 - 80	8 - 10	5,0	3,3
FD 16	716.50232	3,0	0,5	150 - 190	8 - 10	8,5	5,8
FD 20	716.50231	4,0 - 5,0	0,7	250 - 320	8 - 10	12,0	8,2
Fuel gas Coal gas							
GRISCARF® 5360-PM	716.50088	4,0 - 5,0	0,5	70 - 80	8 - 10	5,0	7,5
FD 16	716.50232	2,5 - 3,5	0,4 - 0,6	150 - 190	8 - 10	6,0	10,0
FD 20	716.50231	4,0 - 5,0	0,7 - 0,9	250 - 320	8 - 10	8,0	13,3



### Recommended equipment for FB 1000 for safe operation

Pressure regulator oxygen:	U13 with 10 Bar backpressure supplied by bundle or tank
Safety-device oxygen:	Simax 3
Pressure regulator fuel gas:	Constant (depending on type of fuel gas) or.ET65
Safety-device fuel gas:	DG 91 N
Oxygen-hose:	DN 11 G1/2" RH (optional metal braided)
Fuel gas-hose:	DN 9 G3/8" LH (optional metal braided)

FB 1000		Gas supply acetylene
<i>Nozzle</i>	<i>Short operation until 20 minutes.</i>	<i>Permanently operation &gt; 20 minutes</i>
Griscarf 5310-A	3 Cylinders	5 Cylinders

FB 1000		Gas supply propane
<i>Nozzle</i>	<i>Short operation until 20 minutes.</i>	<i>Permanently operation &gt; 20 minutes</i>
Griscarf 5360-PM	1 Cylinder	2 Cylinders

### Recommended equipment for FB 1600 and FBK 16000 for safe operation

Pressure regulator oxygen:	U13 with 10 Bar backpressure supplied by tank
Safety-device oxygen:	Simax 5
Pressure regulator fuel gas:	Constant (depending on type of fuel gas) or.ET65
Safety-device fuel gas:	DG 91 N
Oxygen-hose:	DN 13 G1/2" RH (optional metal braided)
Fuel gas-hose:	DN 9 G3/8" LH (optional metal braided)

FB 1600 & FBK 1600		Gas supply propane
<i>Nozzle</i>	<i>Short operation until 20 minutes.</i>	<i>Permanently operation &gt; 20 minutes</i>
FD 16	2 Cylinders	3 Cylinders

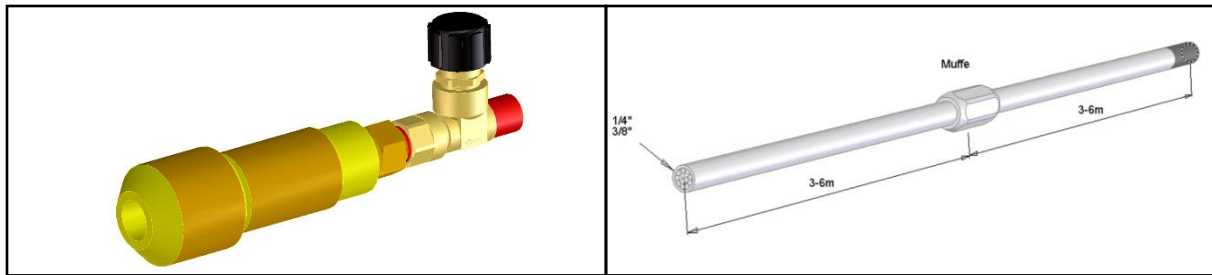
### Recommended equipment for FB 1600 and FBK 16000 for safe operation

Pressure regulator oxygen:	U23 Form B with 10 Bar backpressure supplied by tank
Safety-device oxygen:	Simax 8
Pressure regulator fuel gas:	Constant (depending on type of fuel gas) or.ET65
Safety-device fuel gas:	DG 91 N
Oxygen-hose:	DN 13 G1/2" RH (optional metal braided)
Fuel gas-hose:	DN 9 G3/8" LH (optional metal braided)

FB 2000		Gas supply propane
<i>Nozzle</i>	<i>Short operation until 20 minutes.</i>	<i>Permanently operation &gt; 20 minutes</i>
FD 20	2 Cylinders	3 Cylinders

Date: 04/2024

# OXYGEN LANCE



## Oxygen lancing equipment

The oxygen lance is a thermal separation process that can be used for a wide variety of materials and applications. The oxygen lance consists of an oxygen lance holder and the oxygen lance tubes.

- Dividing large metal parts (including all alloys and for all material thicknesses)
- Demolition work (concrete and stone)
- Parting of bung plugs
- Piercing out bolts

Lance holder						BRH
Description				Art. No.	Cat. No.	
BRH 1/4 with monoblock-valve				716.14116	006	
BRH 3/8 with monoblock-valve				716.14117	006	
BRH 1/2 with monoblock-valve				716.14236	006	
BRH 1/4 with ball valve				716.14260	006	
BRH 3/8 with ball valve				716.14261	006	
Lance holder with integrated slag backflow arrestor						BRH-S
Description				Art. No.	Cat. No.	
BRH 1/4 with monoblock-valve and slag backflow arrestor				716.14264	006	
BRH 3/8 with monoblock-valve and slag backflow arrestor				716.14265	006	
BRH 1/4 with ball valve and slag backflow arrestor				716.14266	006	
BRH 3/8 with ball valve and slag backflow arrestor				716.14267	006	
Oxygen lance tubes						BRH
Description	Length	Working pressure	Consumption	Art. No.	Cat. No.	
Oxygen lance tube 1/4	3.0 m	6.0 – 7.0 bar	30 m <sup>3</sup> / h	0.463.0143	000	
Oxygen lance tube 3/8	3.0 m	6.0 – 8.0 bar	80 m <sup>3</sup> / h	0.463.0383	000	
Oxygen lance tube 3/8	4.0 m	6.0 – 8.0 bar	80 m <sup>3</sup> / h	0.463.0384	000	
Oxygen lance tube 3/8	6.0 m	6.0 – 8.0 bar	80 m <sup>3</sup> / h	0.463.0386	000	
Oxygen lance tube 1/2	3.0 m	10.0 – 12.0 bar	120 m <sup>3</sup> / h	0.463.0123	000	

Date: 04/2024

# OXYGEN LANCE

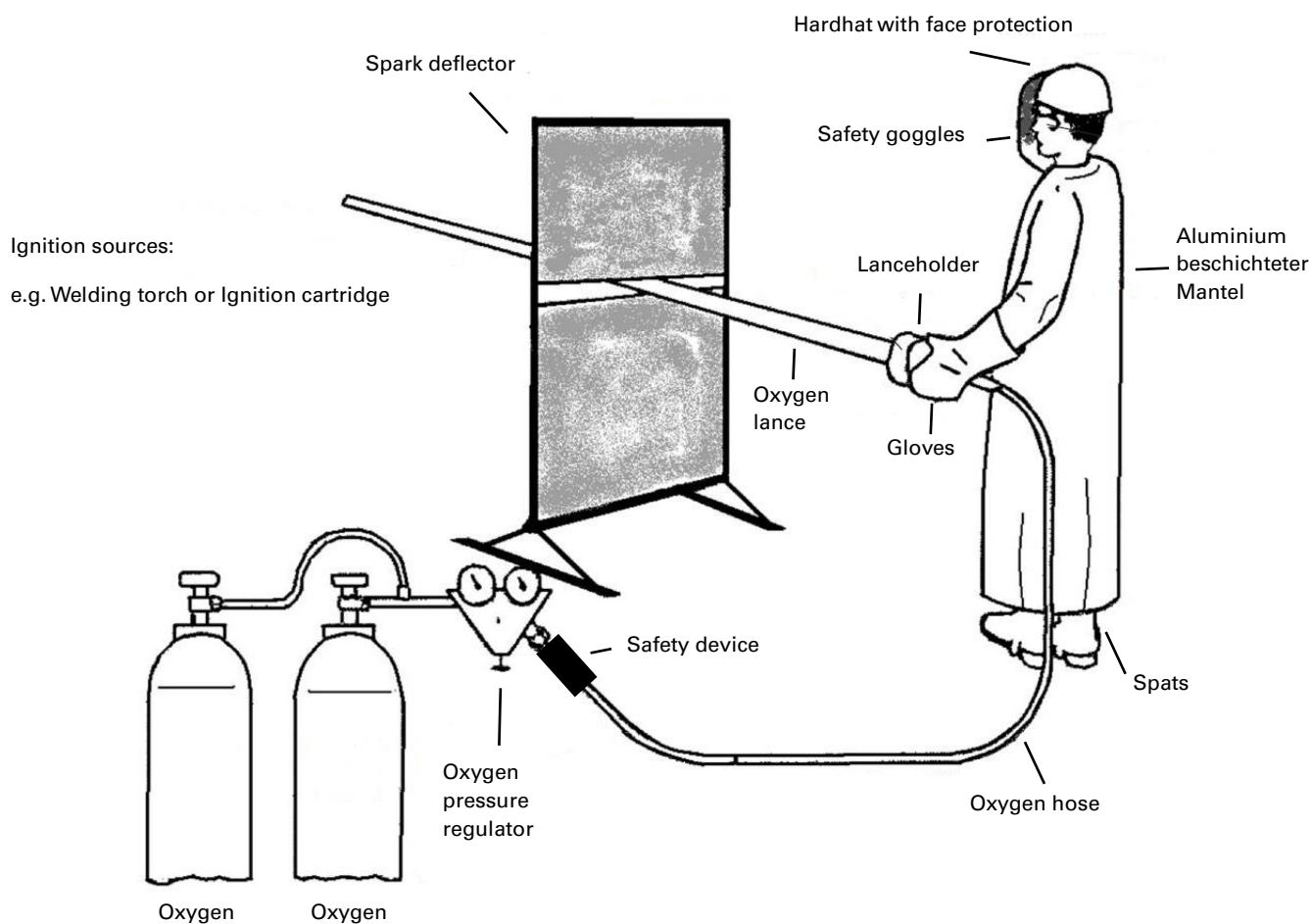
BRH	Accessories	
Description	Art. No.	Cat. No.
Replacement clamp shaft ESPH 1/4	716.14118	006
Replacement clamp shaft ESPH 3/8	716.14119	006
Replacement clamp shaft ESPH 1/2	716.14237	006
Cylinder regulator U 13 F Inlet pressure 200 bar / Outlet pressure 10 bar	509.99850	004
Cylinder regulator U 13 F Inlet pressure 200 bar / Outlet pressure 20 bar	509.99900	004
Cylinder regulator U 13 F Inlet pressure 300 bar / Outlet pressure 10 bar	717.06901	004
Cylinder regulator U 13 F Inlet pressure 300 bar / Outlet pressure 20 bar	717.06902	004

## Handling of oxygen lances

The minimum equipment required for handling Oxygen lances is:

- Lance holder (BRH)
- Oxygen hose, metallically armoured, with at least 9 mm internal diameter
- Oxygen cylinder regulator (U 13 F)
- Safety device (DEMAX 5)
- Strongly flame resistant personal protective clothing

Date: 04/2024



# U13

## PRESSURE REGULATOR



### U13 F

#### Characteristics:

- Constant working pressure through large membrane area, even with varying cylinder pressures, exact adjustments
- Safety: protected against burning out by special arrangement and quality of the seal and membrane materials
- Optimum flow characteristics and large housing surface hinder freezing
- Resistant to fluctuations through indirectly impinged membrane. Gas flow is not fed through the membrane chamber
- Resistance to burning out confirmed by BAM test
- Trade body certification 1 BG 65

#### Connections

- At the inlet a cylinder valve connection for the type of gas and at the outlet removable hose connections according to the applicable national standards

#### Safety valve

- Blows off upwards with connection for exhaust gas removal line

#### Characteristic

L10 = 6

Date: 04/2024



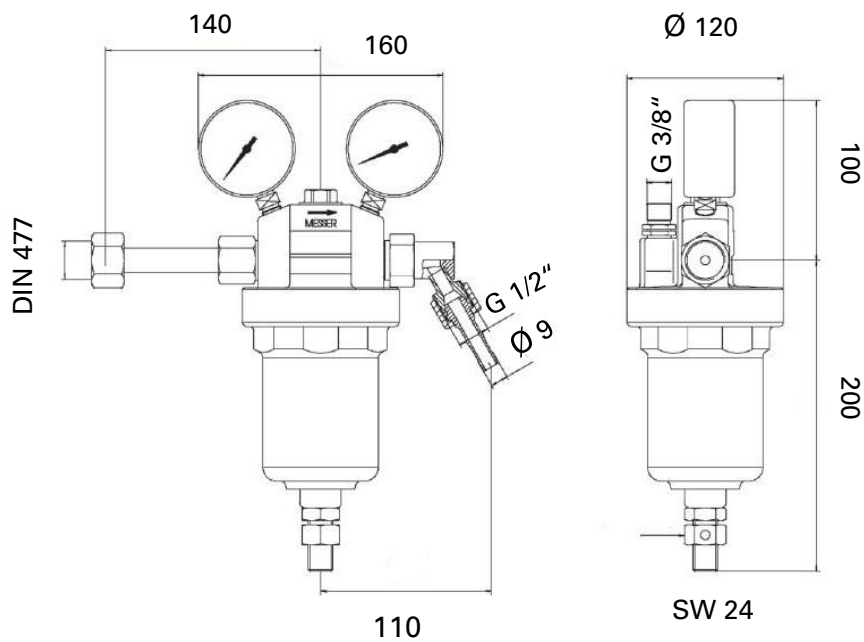
# U13

## PRESSURE REGULATOR

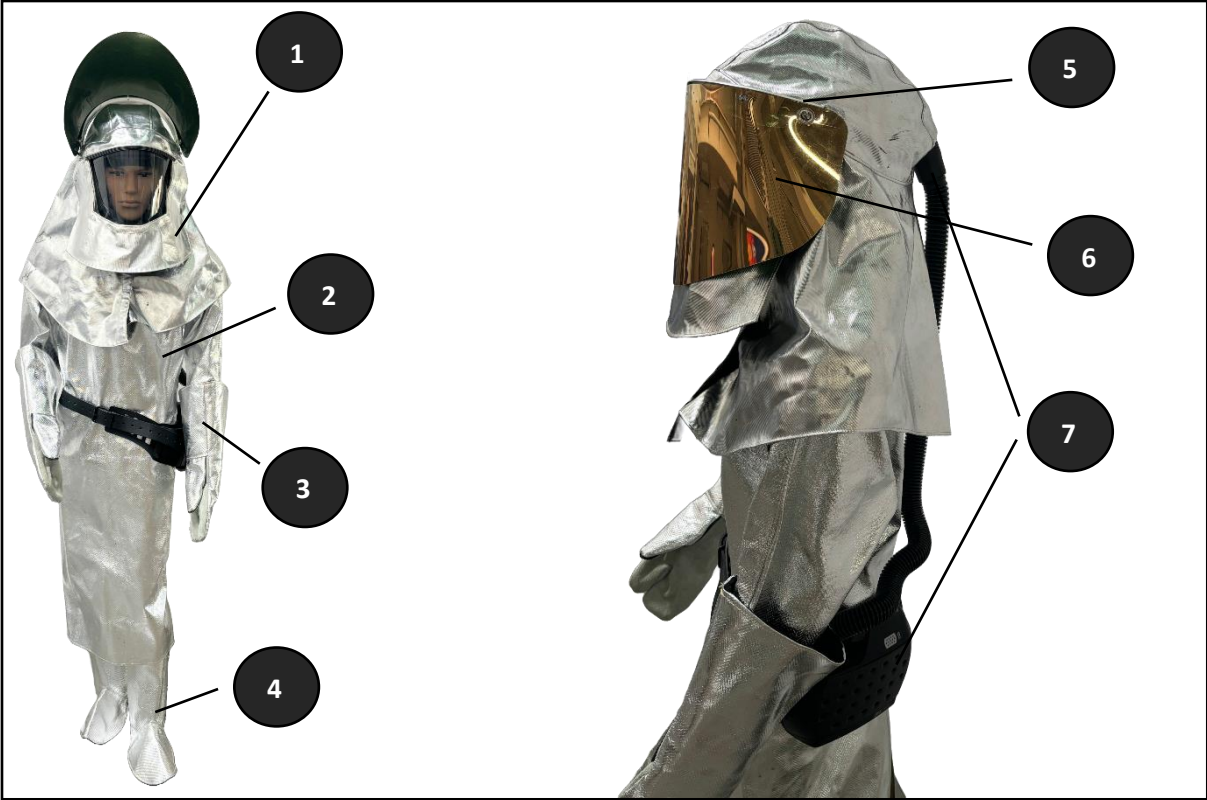
U13 F		Gas flow rate		
Inlet pressure	Flow rate (m <sup>3</sup> /h) Oxygen ')			
	With outlet pressure [bar]			
	5	10	15	20
50	200	200	200	200
30	150	150	150	150
20	100	100	100	-
15	80	80	-	-

U13 F			
Description	Back-Pressure	Art. No.	Cat. No.
Cylinder pressure regulator U 13 F For oxygen inlet pressure 200 Bar	10 bar	509.99850	004
Cylinder pressure regulator U 13 F For oxygen inlet pressure 200 Bar	20 bar	509.99900	004
Cylinder pressure regulator U 13 F For oxygen inlet pressure 300 Bar	10 bar	717.06901	004
Cylinder pressure regulator U 13 F For oxygen inlet pressure 300 Bar	20 bar	717.06902	004

Date: 04/2024



# PRESONAL SAFETY EQUIPMENT



			PPE
Name	Picture	Art.-No	Cat.-No.
Heat protection cover for safety helmet + respiratory protection	1	770.20503	000
Protective apron	2	716.14138	042
Gauntlet gloves	3	716.14139	042
Gaiters	4	770.21919	042
Visor frame for the gold protective visor	5	770.20501	000
Gold protective visor	6	770.20502	000
Safety helmet + respiratory protection	7	770.20503	000



Date: 04/2024



# CREATING SOLUTIONS BEYOND MACHINES

## What we stand for

### PRODUCT

Messer Cutting Systems is a global supplier of cutting edge technology for the metalworking industry.

### AUTOMATION

With over 900 employees worldwide in over 50 countries, we maintain a constant dialogue with our customers to achieve sustainable user-oriented innovation.

### DIGITAL

### SERVICES

Our portfolio embraces the themes PRODUCT, DIGITAL, SERVICES, AUTOMATION and KNOW-HOW. We will live up to our claim "creating solutions beyond machines" not just with the most modern cutting systems and solutions for oxyfuel technology.

### KNOW-HOW

Appropriate services and training, our own software applications as well as the integration of solutions from our technology partners, e. g. in the field of automation, complete the machine to give forward-looking total solutions.

Our know-how combined with our customer-oriented attitude and actions have made us the worldwide partner of choice for innovative total solutions on all aspects of cutting systems for over 120 years.

## Messer Cutting Systems India Private Limited

WNo 199/2AB2, 198/2A2A & 198/2A2B  
SNMV College Road, Malumichampatti,  
Coimbatore - 641 050,  
Tamil Nadu, India

Tel : +91 422 6725501

Mail : sales.all@messer-cutting.com

[messer-cutting.com](http://messer-cutting.com)

